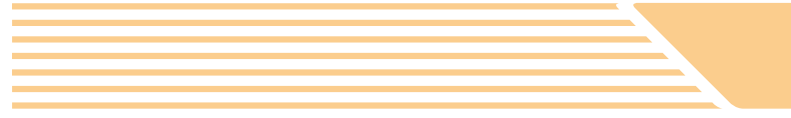


INDUSTRIAL • INNOVATIVE • INDIVIDUAL • INSPIRING

Compact Enclosures



Product Catalog

Content

inTEG compact enclosure – advantages and specifications	2
Compact enclosure – sheet steel	4
Compact enclosure – glazed door	7
Compact enclosure – stainless steel	10
Compact enclosure – outdoor	12
Accessories	14
Safety warning signs	20
Climate control solution	21
Technical drawings	22

inTEG compact enclosure

Our compact inTEG enclosures have a smooth design thanks to the latest laser-welding technology. Their body provides high rigidity and is compatible with many applications in the industrial, electrical engineering and automation fields. Each of the enclosure's 54 dimensions are made with either plain or glazed doors. The range includes powder-coated stainless steel enclosures as well as stainless steel enclosures for applications that need more protection from the environment. The internal equipment can be installed quickly without the need of additional accessories.

MAIN ADVANTAGES

- Smooth design thanks to laser welding
- 54 dimensions from 300x200x155 mm up to 1400x1000x300 mm
- Single-door and double-door enclosures
- Materials: sheet steel, stainless steel 304 or 316L, powder-coated stainless steel
- Maximum dimensions available for mounting plate
- Stability and robustness
- High rigidity of rear panel
- Wide range of accessories
- Customized solutions – cutouts and holes according to your requirements before final surface finish
- Easily changeable left to right-hand door mounting
- Rear panel with holes ready for direct wall mounting
- Standard – mounting plate with labeled 50x50 mm raster for all types
- Full-gland plate
- Wide selection of safety warning signs
- Possibility of placing your logo or special label on enclosure according to your requirements

TECHNICAL SPECIFICATIONS

- IP66 dust and water protection – single-door enclosures
- IP55 dust and water protection – double-door enclosures
- Mechanical resistance IK10 (IK08 for enclosures with glazed doors)
- RAL7035 standard color (other colors available upon request)
- PUR non-porous gasket on door(s)
- Zinc-plated mounting plate with labeled raster
- Simple change of door hinges from right to left
- 130° angle door opening
- Heat transmission (calculation on request)

**Online configurator
at www.conteg.com**



Customized solutions

In an effort to meet the increasing demands of our customers, we can make additional adjustments to enclosures according to individual request and requirements.



Individual cutouts and holes by laser

- Cutouts are done before the final surface finish to ensure the powder coating on the entire surface of the enclosure is of the highest possible quality
- Enclosures can be individually customized by using our online configurator
- Prices for cutouts in steel and stainless steel are the same



Individual labeling

- Printed on adhesive foil
- Possibility of placing your logo or individual descriptions
- Full-color
- Maximum printing size 300x420 mm



Wide selection of safety warning signs

- Signs are printed by UV LED technology, which ensures high-quality lifetime performance
- Customized dimensions and stickers available in different languages

Easy and quick installation of accessories

The inTEG compact enclosures are designed with regard to the user – practical and effective. Standard sizes and accessories are in stock, which allows us to minimize delivery time.



Perforated mounting rails on door

- Available for enclosures of minimum height 500 mm
- Easier installation of door components
- Increased rigidity of door



Perforated mounting rails on side panels

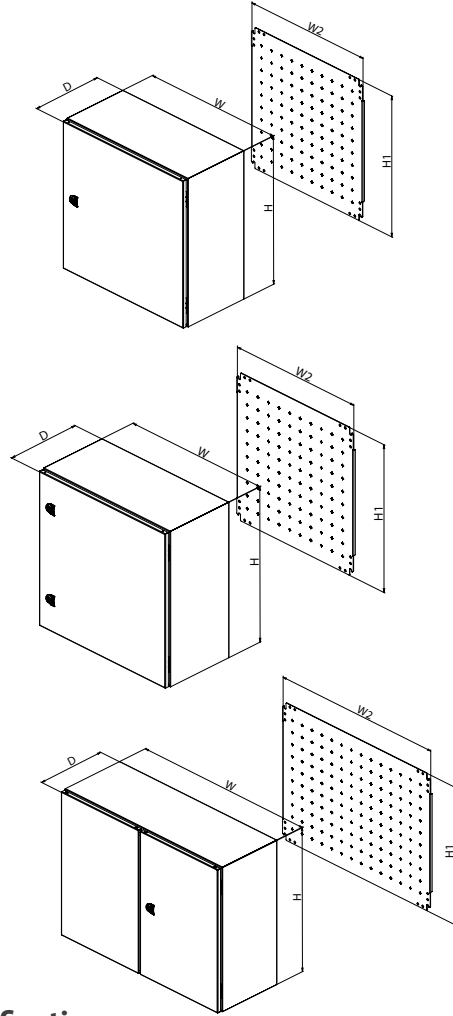
- Available for enclosures of minimum depth 250 mm
- Screwed to body of enclosure
- Comfort installation for components on side panels
- Perforations in 25 mm step



Rain canopy

- Light construction – no extra weight for enclosure
- In combination with stainless steel powder-coated enclosure – solution for outdoor application

inTEG compact enclosure – sheet steel



Package includes:

- Single/double-door compact enclosure, hinges are on the right side for single-door enclosures (can be easily changed to left). Door(s) come with a PUR non-porous gasket and a cam lock or 3-point lock system.
- Gland plate(s)
- Perforated mounting rails on door(s) available for enclosures of minimum height 500 mm
- Perforated mounting rails on sides available for enclosures of minimum depth 250 mm
- Mounting plate with labeled 50x50 mm raster
- Accessories for wall mounting

Specifications:

- Material:
Enclosure: sheet steel
Mounting plate: zinc-plated sheet steel
- Enclosure surface finish: epoxypolyester-powder coat
- Color: RAL7035 for indoor use only
- Protection degree: IP66 single-door enclosure/IP55 double-door enclosure according to EN 60 529 *
- Mechanical protection: IK10 according to IEC 62262

* IP protection may be changed by installing some accessories

For detailed technical information see pages 22 – 24.

Compact enclosure, single door, height 300 and 400 mm

		Pack.	300	300	300	300	300	300	400	400	400	400	400
Enclosure	H (mm)		300	300	300	300	300	300	400	400	400	400	400
	W (mm)		200	250	300	300	400	400	300	300	400	600	600
	D (mm)		155	155	155	210	155	210	155	210	210	210	250
Mounting plate	H1 (mm)		270	270	270	270	270	270	370	370	370	370	370
	W2 (mm)		150	200	250	250	350	350	250	250	350	550	550
Material thickness in mm	Enclosure		1,25	1,25	1,25	1,25	1,25	1,25	1,25	1,25	1,25	1,25	1,25
	Door		1,5	1,5	1,5	1,5	1,5	1,5	1,5	1,5	1,5	1,5	1,5
	Mount. plate		2	2	2	2	2	2	2	2	2	2	2
Quantity	Hinges		2	2	2	2	2	2	2	2	2	2	2
	Cam lock		1	1	1	1	1	1	1	1	1	1	1
	Bolts		4	4	4	4	4	4	4	4	4	4	4
	Size		A	A	B	C	B	D	B	C	D	F	F
Gland plate	Quantity		1	1	1	1	1	1	1	1	1	1	1
Weight in kg			3,9	4,7	5,5	6,1	6,9	7,7	6,9	7,6	9,5	13,4	14,2
Order code	1 pc		WME-030215	WME-032515	WME-030315	WME-030321	WME-030415	WME-030421	WME-040315	WME-040321	WME-040421	WME-040621	WME-040625
Accessories													
Rails for interior installation	1 set		-	-	-	-	-	-	-	-	-	-	ID-W-H4
19" fixed extrusions	1 set		-	-	-	-	-	-	-	-	-	-	ID-W-U8

Compact enclosure, single door, height 500 mm							
Enclosure	H (mm)	Pack.	500	500	500	500	500
	W (mm)		300	400	400	500	500
	D (mm)		210	210	250	210	300
Mounting plate	H1 (mm)		470	470	470	470	470
	W2 (mm)		250	350	350	450	450
Material thickness in mm	Enclosure		1,25	1,25	1,25	1,25	1,25
	Door		1,5	1,5	1,5	1,5	1,5
	Mount. plate		2	2	2	2	2
Quantity	Hinges		2	2	2	2	2
	Cam lock		1	1	1	1	1
	Bolts		4	4	4	4	4
Gland plate	Size		C	D	D	E	E
	Quantity		1	1	1	1	1
Weight in kg			9,1	11,3	12,1	13,7	15,5
Order code	1 pc		WME-050321	WME-050421	WME-050425	WME-050521	WME-050503
Accessories							
Rails for interior installation	1 set		-	-	ID-W-H5	-	ID-W-H5
Door-mounting rails	1 set		ID-W-VD3	ID-W-VD4	ID-W-VD4	ID-W-VD5	ID-W-VD5
Interior door	1 pc		-	-	ID-W-ID54	-	ID-W-ID55

Compact enclosure, single door, height 600 mm												
Enclosure	H (mm)	Pack.	600	600	600	600	600	600	600	600	600	600
	W (mm)		400	400	400	500	600	600	600	600	800	800
	D (mm)		210	250	300	250	210	250	300	400	250	300
Mounting plate	H1 (mm)		570	570	570	570	570	570	570	570	570	570
	W2 (mm)		350	350	350	450	550	550	550	550	750	750
Material thickness in mm	Enclosure		1,25	1,5	1,5	1,5	1,5	1,5	1,5	1,5	1,5	1,5
	Door		1,5	1,5	1,5	1,5	1,5	1,5	1,5	1,5	1,5	1,5
	Mount. plate		2	2	2	2	2	2	2	2	2	2
Quantity	Hinges		2	2	2	2	2	2	2	2	2	2
	Cam lock		2	2	2	2	2	2	2	2	2	2
	Bolts		4	4	4	4	4	4	4	4	4	4
Gland plate	Size		D	D	D	E	F	F	F	F	F	F
	Quantity		1	1	1	1	1	1	1	1	1	1
Weight in kg			13,2	15,4	16,8	18,4	20,3	21,4	22,8	25,9	27,3	29
Order code	1 pc		WME-060421	WME-060425	WME-060403	WME-060525	WME-060621	WME-060625	WME-060603	WME-060604	WME-060825	WME-060803
Accessories												
Rails for interior installation	1 set		-	ID-W-H6	ID-W-H6	ID-W-H6	-	ID-W-H6	ID-W-H6	ID-W-H6	ID-W-H6	ID-W-H6
Door-mounting rails	1 set		ID-W-VD4	ID-W-VD4	ID-W-VD4	ID-W-VD5	ID-W-VD6	ID-W-VD6	ID-W-VD6	ID-W-VD6	ID-W-VD8	ID-W-VD8
19" fixed extrusions	1 set		-	-	-	-	-	ID-W-U12	ID-W-U12	ID-W-U12	ID-W-U12 *	ID-W-U12 *
Interior door	1 pc		-	ID-W-ID64	ID-W-ID64	ID-W-ID65	-	ID-W-ID66	ID-W-ID66	ID-W-ID66	-	-
Plinth **	front and rear	1 set	-	-	-	-	-	-	ID-W-PF60	ID-W-PF60	-	ID-W-PF80
	sides	1 set	-	-	-	-	-	-	ID-W-PS30	ID-W-PS40	-	ID-W-PS30

*Order also bracket ID-W-UB. ** Plinth sheet steel, height 100 mm, RAL7046.

Compact enclosure, single door, height 700 and 800 mm									
Enclosure	H (mm)	Pack.	700	700	800	800	800	800	800
	W (mm)		500	500	600	600	600	800	800
	D (mm)		210	300	250	300	400	300	400
Mounting plate	H1 (mm)		670	670	770	770	770	770	770
	W2 (mm)		450	450	550	550	550	750	750
Material thickness in mm	Enclosure		1,5	1,5	1,5	1,5	1,5	1,5	1,5
	Door		1,5	1,5	2	2	2	2	2
	Mount. plate		2	2	2 F	2 F	2 F	2 FF	2 FF
Quantity	Hinges		2	2	2	2	2	2	2
	Cam lock		2	2	2	2	2	2	2
	Bolts		4	4	4	4	4	4	4
Gland plate	Size		E	E	F	F	F	F	F
	Quantity		1	1	1	1	1	1	1
Weight in kg			19,8	22,3	29,2	31,7	35,2	40,2	44,2
Order code	1 pc		WME-070521	WME-070503	WME-080625	WME-080603	WME-080604	WME-080803	WME-080804
Accessories									
Rails for interior installation	1 set		-	ID-W-H7	ID-W-H8	ID-W-H8	ID-W-H8	ID-W-H8	ID-W-H8
Door-mounting rails	1 set		ID-W-VD5	ID-W-VD5	ID-W-VD6	ID-W-VD6	ID-W-VD6	ID-W-VD8	ID-W-VD8
19" fixed extrusions	1 set		-	-	ID-W-U17	ID-W-U17	ID-W-U17	ID-W-U17 *	ID-W-U17 *
Interior door	1 pc		-	ID-W-ID75	ID-W-ID86	ID-W-ID86	ID-W-ID86	ID-W-ID88	ID-W-ID88
Plinth **	front and rear	1 set	-	-	-	ID-W-PF60	ID-W-PF60	ID-W-PF80	ID-W-PF80
	sides	1 set	-	-	-	ID-W-PS30	ID-W-PS40	ID-W-PS30	ID-W-PS40

2 F - 2mm mounting plate with 2 bended edges. 2 FF - 2mm mounting plate with 4 bended edges.

*Order also bracket ID-W-UB. ** Plinth sheet steel, height 100 mm, RAL7046.

Compact enclosure, single door, height 1000 and 1200 mm

Enclosure	H (mm)	Pack.	1000	1000	1000	1000	1000	1200	1200	1200	1200
	W (mm)		600	600	600	800	800	600	600	800	800
D (mm)	250	300	400	300	400	300	400	300	400	300	400
Mounting plate	H1 (mm)	970	970	970	970	970	1170	1170	1170	1170	1170
	W2 (mm)	550	550	550	750	750	550	550	750	750	
Material thickness in mm	Enclosure	1,5	1,5	1,5	1,5	1,5	1,5	1,5	1,5	1,5	1,5
	Door	2	2	2	2	2	2	2	2	2	2
	Mount. plate	2 F	2 F	2 F	2 FF	2 FF	2 F	2 F	2 FF	2 FF	2 FF
Quantity	Hinges	3	3	3	3	3	3	3	3	3	3
	Bolts	4	4	4	6	6	6	6	6	6	6
3-point lock system		+	+	+	+	+	+	+	+	+	+
Gland plate	Size	F	F	F	F	F	F	F	F	F	F
	Quantity	1	1	1	1	1	1	1	1	1	1
Weight in kg		35,7	38,4	42,4	48,6	53,1	45	49,4	57,1	62	
Order code	1 pc	WME-100625	WME-100603	WME-100604	WME-100803	WME-100804	WME-120603	WME-120604	WME-120803	WME-120804	
Accessories											
Rails for interior installation	1 set	ID-W-H10	ID-W-H10	ID-W-H10	ID-W-H10	ID-W-H10	ID-W-H12	ID-W-H12	ID-W-H12	ID-W-H12	
Door-mounting rails	1 set	ID-W-VD6	ID-W-VD6	ID-W-VD6	ID-W-VD8	ID-W-VD8	ID-W-VD6	ID-W-VD6	ID-W-VD8	ID-W-VD8	
19" fixed extrusions	1 set	ID-W-U21	ID-W-U21	ID-W-U21	ID-W-U21 *	ID-W-U21 *	ID-W-U25	ID-W-U25	ID-W-U25 *	ID-W-U25 *	
Interior door	1 pc	ID-W-ID106	ID-W-ID106	ID-W-ID106	ID-W-ID108	ID-W-ID108	ID-W-ID126	ID-W-ID126	ID-W-ID128	ID-W-ID128	
Plinth **	front and rear	1 set	-	ID-W-PF60	ID-W-PF60	ID-W-PF80	ID-W-PF80	ID-W-PF60	ID-W-PF60	ID-W-PF80	ID-W-PF80
	sides	1 set	-	ID-W-PS30	ID-W-PS40	ID-W-PS30	ID-W-PS40	ID-W-PS30	ID-W-PS40	ID-W-PS30	ID-W-PS40

2 F - 2mm mounting plate with 2 bended edges. 2 FF - 2mm mounting plate with 4 bended edges.
*Order also bracket ID-W-UB. ** Plinth sheet steel, height 100 mm, RAL7046.

Compact enclosure, double door, height 600 – 1000 mm

Enclosure	H (mm)	Pack.	600	800	800	1000	1000	1000	1000		
	W (mm)		800	1000	1200	1000	1000	1000	1200	1200	
D (mm)	300	300	300	300	300	400	300	300	400		
Mounting plate	H1 (mm)	570	770	770	970	970	970	970	970		
	W2 (mm)	750	950	1150	950	950	1150	1150	1150		
Material thickness in mm	Enclosure	1,5	1,5	1,5	1,5	1,5	1,5	1,5	1,5		
	Door	1,5	2	2	2	2	2	2	2		
	Mount. plate	2	2 FF	2 FF	2,5 FF	2,5 FF	2,5 FF	2,5 FF	2,5 FF		
Quantity	Hinges	2	2	2	3	3	3	3	3		
	Bolts	4	6	6	6	6	6	6	6		
3-point lock system		+	+	+	+	+	+	+	+		
Gland plate	Size	F	E	F	E	E	F	F	F		
	Quantity	1	2	2	2	2	2	2	2		
Weight in kg		29,5	49,5	58,1	63,8	68,7	74,7	76			
Order code	1 pc	WME-160803	WME-181003	WME-181203	WME-201003	WME-201004	WME-201203	WME-201204			
Accessories											
Rails for interior installation	1 set	ID-W-H6	ID-W-H8	ID-W-H8	ID-W-H10	ID-W-H10	ID-W-H10	ID-W-H10			
Door-mounting rails	1 set	ID-W-VD8	-	-	-	-	-	-			
19" fixed extrusions	1 set	ID-W-U12 *	-	-	-	-	-	-			
Plinth **	front and rear	1 set	ID-W-PF80	ID-W-PF100	ID-W-PF120	ID-W-PF100	ID-W-PF100	ID-W-PF120	ID-W-PF120		
	sides	1 set	ID-W-PS30	ID-W-PS30	ID-W-PS30	ID-W-PS30	ID-W-PS40	ID-W-PS30	ID-W-PS40		

2 F - 2mm mounting plate with 2 bended edges. 2 FF - 2mm mounting plate with 4 bended edges. 2,5 FF - 2,5mm mounting plate with 4 bended edges.
*Order also bracket ID-W-UB. ** Plinth sheet steel, height 100 mm, RAL7046.

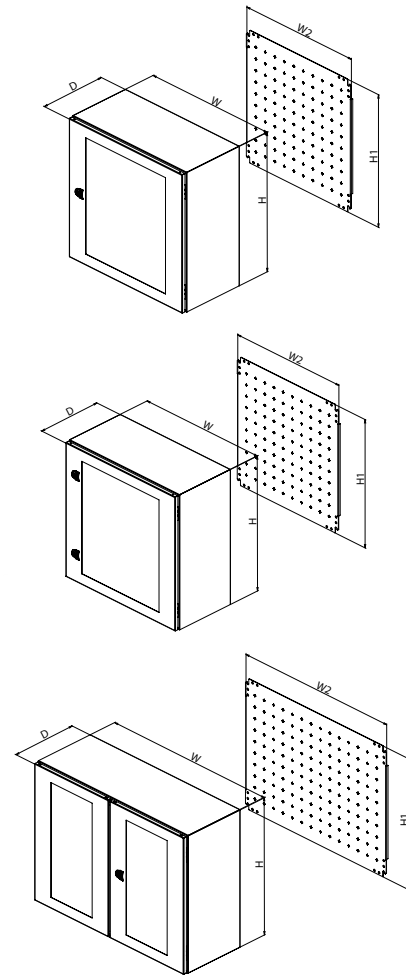
Compact enclosure, double door, height 1200 – 1400 mm

Enclosure	H (mm)	Pack.	1200	1200	1200	1200	1400
	W (mm)		1000	1000	1200	1200	1000
D (mm)	300	400	300	400	300	300	
Mounting plate	H1 (mm)	1170	1170	1170	1170	1370	
	W2 (mm)	950	950	1150	1150	950	
Material thickness in mm	Enclosure	1,5	1,5	1,5	1,5	1,5	
	Door	2	2	2	2	2	
	Mount. plate	2,5 FF	2,5 FF	2,5 FF	2,5 FF	2,5 FF	
Quantity	Hinges	3	3	3	3	3	
	Bolts	6	6	6	6	6	
3-point lock system		+	+	+	+	+	
Gland plate	Size	E	E	F	F	E	
	Quantity	2	2	2	2	2	
Weight in kg		74,7	80,2	87,6	93,4	85,8	
Order code	1 pc	WME-221003	WME-221004	WME-221203	WME-221204	WME-241003	
Accessories							
Rails for interior installation	1 set	ID-W-H12	ID-W-H12	ID-W-H12	ID-W-H12	ID-W-H14	
Door-mounting rails	1 set	-	-	-	-	-	
19" fixed extrusions	1 set	-	-	-	-	-	
Plinth **	front and rear	1 set	ID-W-PF100	ID-W-PF100	ID-W-PF120	ID-W-PF120	ID-W-PF100
	sides	1 set	ID-W-PS30	ID-W-PS40	ID-W-PS30	ID-W-PS40	ID-W-PS30

2,5 FF - 2,5mm mounting plate with 4 bended edges.
*Order also bracket ID-W-UB. ** Plinth sheet steel, height 100 mm, RAL7046.

inTEG compact enclosure – glazed door

:: inTEG compact enclosure – glazed door



Package includes:

- Single/double-door compact enclosure with glazed door(s), hinges are on the right side for single-door enclosures (may be easily changed to left). Door(s) come with a PUR non-porous gasket and a cam lock or 3-point lock system.
- Gland plate(s)
- Perforated mounting rails on sides available for enclosures of minimum depth 250 mm
- Mounting plate with labeled 50×50 mm raster
- Accessories for wall mounting

For detailed technical information see pages 25-27.

Specifications:

- Material:
 - Enclosure: sheet steel
 - Glazed door: sheet steel with 4mm tempered clear glass according to EN 12150
 - Mounting plate: zinc-plated sheet steel
- Enclosure surface finish: epoxypolyester-powder coat
- Color: RAL7035 for indoor use only
- Protection degree: IP66 single-door enclosure/IP55 double-door enclosure according to EN 60 529 *
- Mechanical protection: IK8 according to IEC 62262

* IP protection may be changed by installing some accessories

Compact enclosure, single door, height 300 mm						
Enclosure	H (mm)	Package	300	300	300	300
	W (mm)		250	300	300	400
	D (mm)		155	155	210	155
Mounting plate	H1 (mm)		270	270	270	270
	W2 (mm)		200	250	250	350
Material thickness in mm	Enclosure		1,25	1,25	1,25	1,25
	Door		1,5	1,5	1,5	1,5
	Mount. plate		2	2	2	2
	Hinges		2	2	2	2
Quantity	Cam lock		1	1	1	1
	Bolts		4	4	4	4
	Size		A	B	C	B
	Quantity		1	1	1	1
Weight in kg			5,1	5,9	6,6	6,9
Order code		1 pc	WME-G-032515	WME-G-030315	WME-G-030321	WME-G-030415
						WME-G-030421

Compact enclosure, single door, height 400 and 500 mm												
Enclosure	H (mm)	Pack.	400	400	400	400	400	500	500	500	500	500
	W (mm)		300	300	400	600	600	300	400	400	500	500
	D (mm)		155	210	210	210	250	210	210	250	210	300
Mounting plate	H1 (mm)		370	370	370	370	370	470	470	470	470	470
	W2 (mm)		250	250	350	550	550	250	350	350	450	450
Material thickness in mm	Enclosure		1,25	1,25	1,25	1,25	1,25	1,25	1,25	1,25	1,25	1,25
	Door		1,5	1,5	1,5	1,5	1,5	1,5	1,5	1,5	1,5	1,5
	Mount. plate		2	2	2	2	2	2	2	2	2	2
Quantity	Hinges		2	2	2	2	2	2	2	2	2	2
	Cam lock		1	1	1	1	1	1	1	1	1	1
	Bolts		4	4	4	4	4	4	4	4	4	4
Gland plate	Size		B	C	D	F	F	C	D	D	E	E
	Quantity		1	1	1	1	1	1	1	1	1	1
Weight in kg			6,9	7,6	8,6	12,1	12,8	9,1	10,3	10,9	12,4	13,6
Order code	1 pc		WME-G-040315	WME-G-040321	WME-G-040421	WME-G-040621	WME-G-040625	WME-G-050321	WME-G-050421	WME-G-050425	WME-G-050521	WME-G-050503
Accessories												
Rails for interior installation	1 set		-	-	-	-	ID-W-H4	-	-	ID-W-H5	-	ID-W-H5
19" fixed extrusions	1 set		-	-	-	-	ID-W-U8	-	-	-	-	-
Interior door	1 pc		-	-	-	-	-	-	-	ID-W-ID54	-	ID-W-ID55

Compact enclosure, single door, height 600 mm												
Enclosure	H (mm)	Pack.	600	600	600	600	600	600	600	600	600	600
	W (mm)		400	400	400	500	600	600	600	600	800	800
	D (mm)		210	250	300	250	210	250	300	400	250	300
Mounting plate	H1 (mm)		570	570	570	570	570	570	570	570	570	570
	W2 (mm)		350	350	350	450	550	550	550	550	750	750
Material thickness in mm	Enclosure		1,25	1,5	1,5	1,5	1,5	1,5	1,5	1,5	1,5	1,5
	Door		1,5	1,5	1,5	1,5	1,5	1,5	1,5	1,5	1,5	1,5
	Mount. plate		2	2	2	2	2	2	2	2	2	2
Quantity	Hinges		2	2	2	2	2	2	2	2	2	2
	Cam lock		2	2	2	2	2	2	2	2	2	2
	Bolts		4	4	4	4	4	4	4	4	4	4
Gland plate	Size		D	D	D	E	F	F	F	F	F	F
	Quantity		1	1	1	1	1	1	1	1	1	1
Weight in kg			11,9	13,9	15,6	17,1	18,9	19,9	21,2	24,1	25,4	27
Order code	1 pc		WME-G-060421	WME-G-060425	WME-G-060403	WME-G-060525	WME-G-060621	WME-G-060625	WME-G-060603	WME-G-060604	WME-G-060825	WME-G-060803
Accessories												
Rails for interior installation	1 set		-	ID-W-H6	ID-W-H6	ID-W-H6	-	ID-W-H6	ID-W-H6	ID-W-H6	ID-W-H6	ID-W-H6
19" fixed extrusions	1 set		-	-	-	-	-	ID-W-U12	ID-W-U12	ID-W-U12	ID-W-U12 *	ID-W-U12 *
Interior door	1 pc		-	ID-W-ID64	ID-W-ID64	ID-W-ID65	-	ID-W-ID66	ID-W-ID66	ID-W-ID66	-	-
Plinth **	front and rear	1 set	-	-	-	-	-	-	ID-W-PF60	ID-W-PF60	-	ID-W-PF80
	sides	1 set	-	-	-	-	-	-	ID-W-PS30	ID-W-PS40	-	ID-W-PS30

*Order also bracket ID-W-UB. **Plinth sheet steel, height 100 mm, RAL7046.

Compact enclosure, single door, height 700 and 800 mm									
Enclosure	H (mm)	Pack.	700	700	800	800	800	800	800
	W (mm)		500	500	600	600	600	600	800
	D (mm)		210	300	250	300	400	300	400
Mounting plate	H1 (mm)		670	670	770	770	770	770	770
	W2 (mm)		450	450	550	550	550	750	750
Material thickness in mm	Enclosure		1,5	1,5	1,5	1,5	1,5	1,5	1,5
	Door		1,5	1,5	2	2	2	2	2
	Mounting plate		2	2	2F	2F	2F	2FF	2FF
Quantity	Hinges		2	2	2	2	2	2	2
	Cam lock		2	2	2	2	2	2	2
	Bolts		4	4	4	4	4	4	4
Gland plate	Size		E	E	F	F	F	F	F
	Quantity		1	1	1	1	1	1	1
Weight in kg			18,4	20,7	27,2	28,5	29,2	32,2	35,4
Order code	1 pc		WME-G-070521	WME-G-070503	WME-G-080625	WME-G-080603	WME-G-080604	WME-G-080803	WME-G-080804
Accessories									
Rails for interior installation	1 set		-	ID-W-H7	ID-W-H8	ID-W-H8	ID-W-H8	ID-W-H8	ID-W-H8
19" fixed extrusions	1 set		-	-	ID-W-U17	ID-W-U17	ID-W-U17	ID-W-U17 *	ID-W-U17 *
Interior door	1 pc		-	ID-W-ID75	ID-W-ID86	ID-W-ID86	ID-W-ID86	ID-W-ID88	ID-W-ID88
Plinth **	front and rear	1 set	-	-	-	-	ID-W-PF60	ID-W-PF60	ID-W-PF80
	sides	1 set	-	-	-	-	ID-W-PS30	ID-W-PS40	ID-W-PS40

2 F - 2mm mounting plate with 2 bended edges. 2 FF - 2mm mounting plate with 4 bended edges.

*Order also bracket ID-W-UB. **Plinth sheet steel, height 100 mm, RAL7046.

Compact enclosure, single door, height 1000 and 1200 mm											
Enclosure	H (mm)	Pack.	1000	1000	1000	1000	1000	1200	1200	1200	1200
	W (mm)		600	600	600	800	800	600	600	800	800
	D (mm)		250	300	400	300	400	300	400	300	400
Mounting plate	H1 (mm)		970	970	970	970	970	1170	1170	1170	1170
	W2 (mm)		550	550	550	750	750	550	550	750	750
Material thickness in mm	Enclosure		1,5	1,5	1,5	1,5	1,5	1,5	1,5	1,5	1,5
	Door		2	2	2	2	2	2	2	2	2
	Mounting plate		2 F	2 F	2 F	2 FF	2 FF	2 F	2 F	2 FF	2 FF
Quantity	Hinges		3	3	3	3	3	3	3	3	3
	Bolts		4	4	4	6	6	6	6	6	6
3-point lock system			+	+	+	+	+	+	+	+	+
Gland plate	Size		F	F	F	F	F	F	F	F	F
	Quantity		1	1	1	1	1	1	1	1	1
Weight in kg			29,7	31,9	35,2	40,4	44,1	37,4	41	47,4	51,5
Order code	1 pc		WME-G-100625	WME-G-100603	WME-G-100604	WME-G-100803	WME-G-100804	WME-G-120603	WME-G-120604	WME-G-120803	WME-G-120804
Accessories											
Rails for interior installation	1 set		ID-W-H10	ID-W-H10	ID-W-H10	ID-W-H10	ID-W-H10	ID-W-H12	ID-W-H12	ID-W-H12	ID-W-H12
19" fixed extrusions	1 set		ID-W-U21	ID-W-U21	ID-W-U21	ID-W-U21 *	ID-W-U21 *	ID-W-U25	ID-W-U25	ID-W-U25 *	ID-W-U25 *
Interior door	1 pc		ID-W-ID106	ID-W-ID106	ID-W-ID106	ID-W-ID108	ID-W-ID108	ID-W-ID126	ID-W-ID126	ID-W-ID128	ID-W-ID128
Plinth **	front and rear	1 set	-	ID-W-PF60	ID-W-PF60	ID-W-PF80	ID-W-PF80	ID-W-PF60	ID-W-PF60	ID-W-PF80	ID-W-PF80
	sides	1 set	-	ID-W-PS30	ID-W-PS40	ID-W-PS30	ID-W-PS40	ID-W-PS30	ID-W-PS40	ID-W-PS30	ID-W-PS40

2 F - 2mm mounting plate with 2 bended edges. 2 FF - 2mm mounting plate with 4 bended edges.

*Order also bracket ID-W-UB. **Plinth sheet steel, height 100 mm, RAL7046.

Compact enclosure, double door, height 600 – 1000 mm											
Enclosure	H (mm)	Pack.	600	800	800	1000	1000	1000	1000	1000	1000
	W (mm)		800	1000	1200	1000	1000	1000	1200	1200	1200
	D (mm)		300	300	300	300	400	300	400	300	400
Mounting plate	H1 (mm)		570	770	770	970	970	970	970	970	970
	W2 (mm)		750	950	1150	950	950	1150	1150	1150	1150
Material thickness in mm	Enclosure		1,5	1,5	1,5	1,5	1,5	1,5	1,5	1,5	1,5
	Door		1,5	2	2	2	2	2	2	2	2
	Mount. plate		2	2 FF	2 FF	2,5 FF	2,5 FF	2,5 FF	2,5 FF	2,5 FF	2,5 FF
Quantity	Hinges		2	2	2	3	3	3	3	3	3
	Bolts		4	6	6	6	6	6	6	6	6
3-point lock system			+	+	+	+	+	+	+	+	+
Gland plate	Size		F	E	F	E	E	F	F	F	F
	Quantity		1	2	2	2	2	2	2	2	2
Weight in kg			24,5	41,1	50	53	59,1	62	62	63,1	63,1
Order code	1 pc		WME-G-160803	WME-G-181003	WME-G-181203	WME-G-201003	WME-G-201004	WME-G-201203	WME-G-201203	WME-G-201204	WME-G-201204
Accessories											
Rails for interior installation	1 set		ID-W-H6	ID-W-H8	ID-W-H8	ID-W-H10	ID-W-H10	ID-W-H10	ID-W-H10	ID-W-H10	ID-W-H10
19" fixed extrusions	1 set		ID-W-U12 *	-	-	-	-	-	-	-	-
Plinth **	front and rear	1 set	ID-W-PF80	ID-W-PF100	ID-W-PF120	ID-W-PF100	ID-W-PF100	ID-W-PF100	ID-W-PF120	ID-W-PF120	ID-W-PF120
	sides	1 set	ID-W-PS30	ID-W-PS30	ID-W-PS30	ID-W-PS30	ID-W-PS40	ID-W-PS30	ID-W-PS30	ID-W-PS40	ID-W-PS40

2 F - 2mm mounting plate with 2 bended edges. 2 FF - 2mm mounting plate with 4 bended edges. 2,5 FF - 2,5mm mounting plate with 4 bended edges.

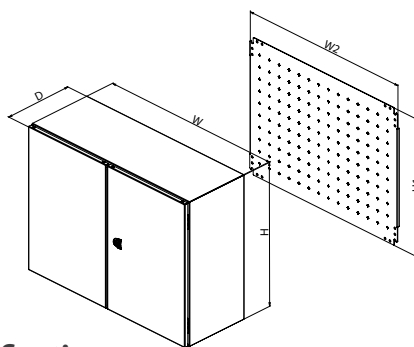
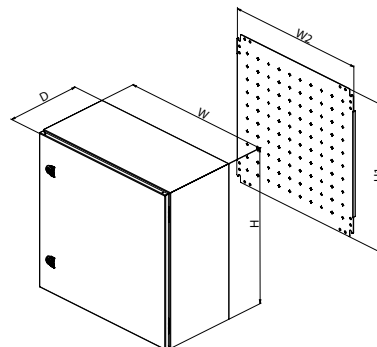
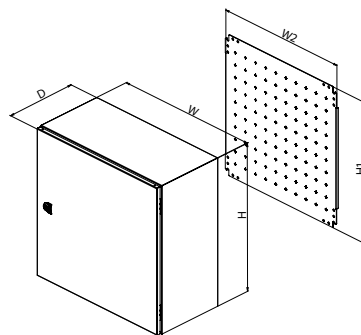
*Order also bracket ID-W-UB. **Plinth sheet steel, height 100 mm, RAL7046.

Compact enclosure, double door, height 1200 – 1400 mm							
Enclosure	H (mm)	Pack.	1200	1200	1200	1200	1400
	W (mm)		1000	1000	1200	1200	1000
	D (mm)		300	400	300	400	300
Mounting plate	H1 (mm)		1170	1170	1170	1170	1370
	W2 (mm)		950	950	1150	1150	950
Material thickness in mm	Enclosure		1,5	1,5	1,5	1,5	1,5
	Door		2	2	2	2	2
	Mount. plate		2,5 FF	2,5 FF	2,5 FF	2,5 FF	2,5 FF
Quantity	Hinges		3	3	3	3	3
	Bolts		6	6	6	6	6
3-point lock system			+	+	+	+	+
Gland plate	Size		E	E	F	F	E
	Quantity		2	2	2	2	2
Weight in kg			62	66,6	72,7	77,5	71,2
Order code	1 pc		WME-G-221003	WME-G-221004	WME-G-221203	WME-G-221204	WME-G-241003
Accessories							
Rails for interior installation	1 set		ID-W-H12	ID-W-H12	ID-W-H12	ID-W-H12	ID-W-H14
19" fixed extrusions	1 set		-	-	-	-	-
Plinth **	front and rear	1 set	ID-W-PF100	ID-W-PF100	ID-W-PF120	ID-W-PF120	ID-W-PF100
	sides	1 set	ID-W-PS30	ID-W-PS40	ID-W-PS30	ID-W-PS40	ID-W-PS30

2,5 FF - 2,5mm mounting plate with 4 bended edges.

*Order also bracket ID-W-UB. **Plinth sheet steel, height 100 mm, RAL7046.

inTEG compact enclosure – stainless steel



Package includes:

- Single/double-door compact enclosure. Door(s) come with a PUR non-porous gasket and a cam lock or 3-point lock system.
- Perforated mounting rails on door(s) available for enclosures of minimum height 500 mm
- Perforated mounting rails on sides available for enclosures of minimum depth 250 mm
- Mounting plate with labeled 50x50 mm raster
- Accessories for wall mounting

Specifications:

- Material:
 - Enclosure: stainless steel 1.4301 (AISI 304), stainless steel 1.4404 (AISI 316L) available upon request
 - Mounting plate: zinc-plated sheet steel
- Enclosure surface finish: Brushed finish
- Protection degree: IP66 single-door enclosure/IP55 double-door enclosure according to EN 60 529 *
- Mechanical protection: IK10 according to IEC 62262
- Usage: for indoor and outdoor

* IP protection may be changed by installing some accessories

For detailed technical information see pages 28 – 29.

Compact enclosure, single door, height 300 – 400 mm											
Enclosure	H (mm)	Pack.	300	300	300	300	300	400	400	400	400
	W (mm)		200	300	300	400	400	300	300	400	600
	D (mm)		155	155	210	155	210	155	210	210	210
Mounting plate	H1 (mm)		270	270	270	270	270	370	370	370	370
	W2 (mm)		150	250	250	350	350	250	250	350	550
Material thickness in mm	Enclosure		1,25	1,25	1,25	1,25	1,25	1,25	1,25	1,25	1,25
	Door		1,5	1,5	1,5	1,5	1,5	1,5	1,5	1,5	1,5
	Mounting plate		2	2	2	2	2	2	2	2	2
Quantity	Hinges		2	2	2	2	2	2	2	2	2
	Cam lock		1	1	1	1	1	1	1	1	1
	Bolts		4	4	4	4	4	4	4	4	4
Weight in kg			3,9	5,5	6,1	6,9	7,7	6,9	7,6	9,5	13,4
Order code		1 pc	WME-X-030215	WME-X-030315	WME-X-030321	WME-X-030415	WME-X-030421	WME-X-040315	WME-X-040321	WME-X-040421	WME-X-040621

Compact enclosure, single door, height 500 – 600 mm										
Enclosure	H (mm)	Pack.	500	500	500	600	600	600	600	600
	W (mm)		400	500	500	400	600	600	600	800
	D (mm)		210	210	300	210	210	250	300	300
Mounting plate	H1 (mm)		470	470	470	570	570	570	570	570
	W2 (mm)		350	450	450	350	550	550	550	750
Material thickness in mm	Enclosure		1,25	1,25	1,25	1,25	1,5	1,5	1,5	1,5
	Door		1,5	1,5	1,5	1,5	1,5	1,5	1,5	1,5
	Mounting plate		2	2	2	2	2	2	2	2
Quantity	Hinges		2	2	2	2	2	2	2	2
	Cam lock		1	1	1	2	2	2	2	2
	Bolts		4	4	4	4	4	4	4	4
Weight in kg			11,3	13,7	15,5	13,2	20,3	21,4	22,8	29
Order code		1 pc	WME-X-050421	WME-X-050521	WME-X-050503	WME-X-060421	WME-X-060621	WME-X-060625	WME-X-060603	WME-X-060803
Accessories										
Rails for interior installation	1 set		-	-	ID-W-H5	-	-	ID-W-H6	ID-W-H6	ID-W-H6
Door-mounting rails	1 set		ID-W-VD4	ID-W-VD5	ID-W-VD5	ID-W-VD4	ID-W-VD6	ID-W-VD6	ID-W-VD6	ID-W-VD8
19" fixed extrusions	1 set		-	-	-	-	-	ID-W-U12	ID-W-U12	ID-W-U12 *
Interior door	1 pc		-	-	ID-W-ID55	-	-	ID-W-ID66	ID-W-ID66	-
Plinth **	front and rear	1 set	-	-	-	-	-	-	ID-W-SPF60	ID-W-SPF80
	sides	1 set	-	-	-	-	-	-	ID-W-SPS30	ID-W-SPS30

*Order also bracket ID-W-UB. **Plinth stainless steel, height 100 mm, RAL7046.

Compact enclosure, single door, height 700 – 1200 mm										
Enclosure	H (mm)	Pack.	700	800	800	800	1000	1200	1200	1200
	W (mm)		500	600	600	600	800	800	800	800
	D (mm)		300	250	300	300	300	300	300	400
Mounting plate	H1 (mm)		670	770	770	770	970	1170	1170	1170
	W2 (mm)		450	550	550	750	750	750	750	750
Material thickness in mm	Enclosure		1,5	1,5	1,5	1,5	1,5	1,5	1,5	1,5
	Door		1,5	2	2	2	2	2	2	2
	Mounting plate		2	2 F	2 F	2 FF	2 FF	2 FF	2 FF	2 FF
Quantity	Hinges		2	2	2	2	3	3	3	3
	Cam lock		2	2	2	2	-	-	-	-
	3-point lock system		-	-	-	-	+	+	+	+
	Bolts		4	4	4	4	6	6	6	6
Weight in kg			22,3	29,2	31,7	40,2	48,6	57,1	62	62
Order code		1 pc	WME-X-070503	WME-X-080625	WME-X-080603	WME-X-080803	WME-X-100803	WME-X-120803	WME-X-120803	WME-X-120804
Accessories										
Rails for interior installation	1 set		ID-W-H7	ID-W-H8	ID-W-H8	ID-W-H8	ID-W-H10	ID-W-H12	ID-W-H12	ID-W-H12
Door-mounting rails	1 set		ID-W-VD5	ID-W-VD6	ID-W-VD6	ID-W-VD8	ID-W-VD8	ID-W-VD8	ID-W-VD8	ID-W-VD8
19" fixed extrusions	1 set		-	ID-W-U17	ID-W-U17	ID-W-U17*	ID-W-U21*	ID-W-U25*	ID-W-U25*	ID-W-U25*
Interior door	1 pc		ID-W-ID75	ID-W-ID86	ID-W-ID86	ID-W-ID88	ID-W-ID108	ID-W-ID128	ID-W-ID128	ID-W-ID128
Plinth **	front and rear	1 set	-	-	ID-W-SPF60	ID-W-SPF80	ID-W-SPF80	ID-W-SPF80	ID-W-SPF80	ID-W-SPF80
	sides	1 set	-	-	ID-W-SPS30	ID-W-SPS30	ID-W-SPS30	ID-W-SPS30	ID-W-SPS30	ID-W-SPS40

2 F - 2mm mounting plate with 2 bended edges. 2 FF - 2mm mounting plate with 4 bended edges.

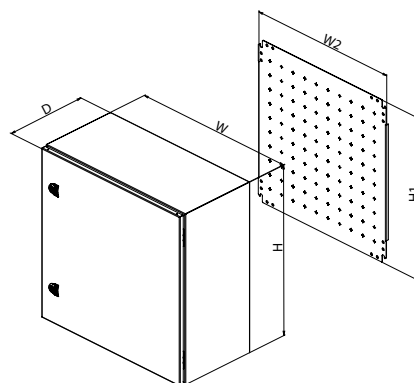
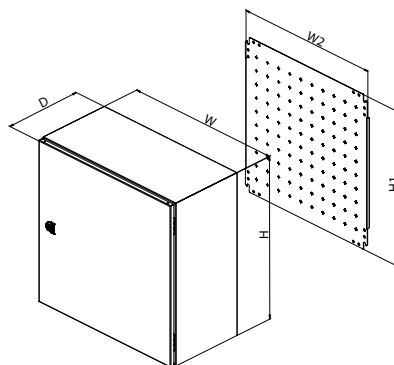
*Order also bracket ID-W-UB. **Plinth stainless steel, height 100 mm, RAL7046.

Compact enclosure, double door, height 1000 – 1200 mm				
Enclosure	H (mm)	Pack.	1000	1200
	W (mm)		1000	1000
	D (mm)		300	300
Mounting plate	H1 (mm)		970	1170
	W2 (mm)		950	950
Material thickness in mm	Enclosure		1,5	1,5
	Door		2	2
	Mounting plate		2,5 FF	2,5 FF
Quantity	Hinges		3	3
	Bolts for mount. plate		6	6
3-point lock system			+	+
Weight in kg			63,8	74,7
Order code		1 pc	WME-X-201003	WME-X-221003
Accessories				
Rails for interior installation	1 set		ID-W-H10	ID-W-H12
Plinth **	front and rear	1 set	ID-W-SPF100	ID-W-SPF100
	sides	1 set	ID-W-SPS30	ID-W-SPS30

2,5 FF – 2,5mm mounting plate with 4 bended edges.

**Plinth stainless steel, height 100 mm, RAL7046.

inTEG compact enclosure – outdoor



Package includes:

- Single-door compact enclosure. Door come with a PUR non-porous gasket and a cam lock(s) or 3-point system for enclosures of minimum height 1000 mm
- Perforated mounting rails on door(s) available for enclosures of minimum height 500 mm
- Perforated mounting rails on sides available for enclosures of minimum depth 250 mm
- Mounting plate with labeled 50×50 mm raster
- Accessories for wall mounting

Specifications:

- Material:
 - Enclosure: stainless steel
 - Mounting plate: zinc-plated sheet steel
- Enclosure surface finish: polyester-powder coat
- Color: RAL7035 for outdoor use
- Protection degree: IP66 according to EN 60 529 *
- Mechanical protection: IK10 according to IEC 62262

* IP protection may be changed by installing some accessories

For detailed technical information see pages 30 – 31.

:: inTEG compact enclosure – outdoor

Compact enclosure, single door, height 300 – 400 mm											
Enclosure	H (mm)	Pack.	300	300	300	300	300	400	400	400	400
	W (mm)		200	300	300	400	400	300	300	400	600
	D (mm)		155	155	210	155	210	155	210	210	210
Mounting plate	H1 (mm)		270	270	270	270	270	370	370	370	370
	W2 (mm)		150	250	250	350	350	250	250	350	550
Material thickness in mm	Enclosure		1,25	1,25	1,25	1,25	1,25	1,25	1,25	1,25	1,25
	Door		1,5	1,5	1,5	1,5	1,5	1,5	1,5	1,5	1,5
	Mounting plate		2	2	2	2	2	2	2	2	2
Quantity	Hinges		2	2	2	2	2	2	2	2	2
	Cam lock		1	1	1	1	1	1	1	1	1
	Bolts		4	4	4	4	4	4	4	4	4
Weight in kg			3,9	5,5	6,1	6,9	7,7	6,9	7,6	9,5	13,4
Order code	1 pc		WME-0-030215	WME-0-030315	WME-0-030321	WME-0-030415	WME-0-030421	WME-0-040315	WME-0-040321	WME-0-040421	WME-0-040621
Accessories											
Rain canopy	1 pc		ID-W-R2015	ID-W-R3015	ID-W-R3020	ID-W-R4015	ID-W-R4020	ID-W-R3015	ID-W-R3020	ID-W-R4020	ID-W-R6020
Pole-mounting brackets	1 set		ID-W-MP2	ID-W-MP3	ID-W-MP3	ID-W-MP4	ID-W-MP4	ID-W-MP3	ID-W-MP3	ID-W-MP4	ID-W-MP6

Compact enclosure, single door, height 500 – 600 mm											
Enclosure	H (mm)	Pack.	500	500	500	600	600	600	600	600	600
	W (mm)		400	500	500	400	400	600	600	600	800
	D (mm)		210	210	300	210	300	210	300	400	300
Mounting plate	H1 (mm)		470	470	470	570	570	570	570	570	570
	W2 (mm)		350	450	450	350	350	550	550	550	750
Material thickness in mm	Enclosure		1,25	1,25	1,25	1,25	1,5	1,5	1,5	1,5	1,5
	Door		1,5	1,5	1,5	1,5	1,5	1,5	1,5	1,5	1,5
	Mount. plate		2	2	2	2	2	2	2	2	2
Quantity	Hinges		2	2	2	2	2	2	2	2	2
	Cam lock		1	1	1	2	2	2	2	2	2
	Bolts		4	4	4	4	4	4	4	4	4
Weight in kg			11,3	13,7	15,5	13,2	16,8	20,3	22,8	25,9	29
Order code		1 pc	WME-0-050421	WME-0-050521	WME-0-050503	WME-0-060421	WME-0-060403	WME-0-060621	WME-0-060603	WME-0-060604	WME-0-060803
Accessories											
Rails for interior installation	1 set		-	-	ID-W-H5	-	ID-W-H6	-	ID-W-H6	ID-W-H6	ID-W-H6
Door-mounting rails	1 set		ID-W-VD4	ID-W-VD5	ID-W-VD5	ID-W-VD4	ID-W-VD4	ID-W-VD6	ID-W-VD6	ID-W-VD6	ID-W-VD8
19" fixed extrusions	1 set		-	-	-	-	-	ID-W-U12	ID-W-U12	ID-W-U12	ID-W-U12 *
Interior door	1 pc		-	-	ID-W-ID55	-	ID-W-ID64	-	ID-W-ID66	ID-W-ID66	-
Plinth **	front and rear	1 set	-	-	-	-	-	-	ID-W-SPF60	ID-W-SPF60	ID-W-SPF80
	sides	1 set	-	-	-	-	-	-	ID-W-SPS30	ID-W-SPS40	ID-W-SPS30
Rain canopy	1 pc		ID-W-R4020	ID-W-R5020	ID-W-R5030	ID-W-R4020	ID-W-R4030	ID-W-R6020	ID-W-R6030	ID-W-R6040	ID-W-R8030
Pole-mounting brackets	1 set		ID-W-MP4	ID-W-MP5	ID-W-MP5	ID-W-MP4	ID-W-MP4	ID-W-MP6	ID-W-MP6	ID-W-MP6	-

*Order also bracket ID-W-UB. **Plinth stainless steel, height 100 mm, RAL7046.

Compact enclosure, single door, height 700 – 1200 mm											
Enclosure	H (mm)	Pack.	700	800	800	800	1000	1000	1000	1200	1200
	W (mm)		500	600	600	800	600	600	800	600	800
	D (mm)		300	250	300	300	300	400	400	300	400
Mounting plate	H1 (mm)		670	770	770	770	970	970	970	1170	1170
	W2 (mm)		450	550	550	750	550	550	750	550	750
Material thickness in mm	Enclosure		1,5	1,5	1,5	1,5	1,5	1,5	1,5	1,5	1,5
	Door		1,5	2	2	2	2	2	2	2	2
	Mount. plate		2	2 F	2 F	2 FF	2 F	2 F	2 FF	2 FF	2 FF
Quantity	Hinges		2	2	2	2	3	3	3	3	3
	Cam lock		2	2	2	2	-	-	-	-	-
	3-point lock system		-	-	-	-	+	+	+	+	+
	Bolts		4	4	4	4	4	4	6	6	6
Weight in kg			22,3	29,2	31,7	40,2	38,4	42,4	53,1	45	62
Order code		1 pc	WME-0-070503	WME-0-080625	WME-0-080603	WME-0-080803	WME-0-100603	WME-0-100604	WME-0-100804	WME-0-120603	WME-0-120804
Accessories											
Rails for interior installation	1 set		ID-W-H7	ID-W-H8	ID-W-H8	ID-W-H8	ID-W-H10	ID-W-H10	ID-W-H10	ID-W-H12	ID-W-H12
Door-mounting rails	1 set		ID-W-VD5	ID-W-VD6	ID-W-VD6	ID-W-VD8	ID-W-VD6	ID-W-VD6	ID-W-VD8	ID-W-VD6	ID-W-VD8
19" fixed extrusions	1 set		-	ID-W-U17	ID-W-U17	ID-W-U17*	ID-W-U21	ID-W-U21	ID-W-U21*	ID-W-U25	ID-W-U25*
Interior door	1 pc		ID-W-ID75	ID-W-ID86	ID-W-ID86	ID-W-ID88	ID-W-ID106	ID-W-ID106	ID-W-ID108	ID-W-ID126	ID-W-ID128
Plinth **	front and rear	1 set	-	-	ID-W-SPF60	ID-W-SPF80	ID-W-SPF60	ID-W-SPF60	ID-W-SPF80	ID-W-SPF60	ID-W-SPF80
	sides	1 set	-	-	ID-W-SPS30	ID-W-SPS30	ID-W-SPS30	ID-W-SPS40	ID-W-SPS40	ID-W-SPS30	ID-W-SPS40
Rain canopy	1 pc		ID-W-R5030	ID-W-R6025	ID-W-R6030	ID-W-R8030	ID-W-R6030	ID-W-R6040	ID-W-R8040	ID-W-R6030	ID-W-R8040
Pole-mounting brackets	1 set		ID-W-MP5	ID-W-MP6	ID-W-MP6	-	ID-W-MP6	ID-W-MP6	-	ID-W-MP6	-

2 F - 2mm mounting plate with 2 bended edges. 2 FF - 2mm mounting plate with 4 bended edges.

*Order also bracket ID-W-UB. **Plinth stainless steel, height 100 mm, RAL7046.

Recommended accessories

Rain canopy



Pole-mounting brackets



More information on page 16

Accessories

Rails for interior installation

Package includes:

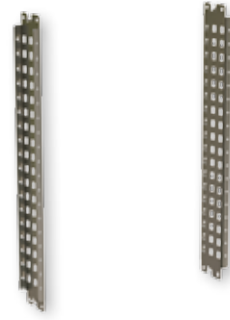
- Rails for interior installation and all necessary assembly parts

Specifications:

- Material: 2mm zinc-plated sheet steel with 25 mm perforation
- Installation: on interior horizontal rails which are part of enclosure
- Usage: available for enclosures of minimum depth 250 mm

For enclosure height in mm	Package	Order code
400	1 set	ID-W-H4
500	1 set	ID-W-H5
600	1 set	ID-W-H6
700	1 set	ID-W-H7
800	1 set	ID-W-H8
1000	1 set	ID-W-H10
1200	1 set	ID-W-H12
1400	1 set	ID-W-H14

1 set = 2 pcs



19" fixed extrusions

Package includes:

- 19" fixed extrusions and all necessary assembly parts

Specifications:

- Material: 2mm zinc-plated sheet steel
- Installation: on interior rails which are part of enclosure or on ID-W-UB brackets for 800 mm wide enclosures
- Usage: available for enclosures of minimum depth 250 mm and width 600 and 800 mm

For enclosure height in mm	Package	Order code
400 (8U)	1 set	ID-W-U8
600 (12U)	1 set	ID-W-U12
800 (17U)	1 set	ID-W-U17
1000 (21U)	1 set	ID-W-U21
1200 (25U)	1 set	ID-W-U25

1 set = 2 pcs

For enclosure width 800 mm order bracket ID-W-UB, package includes 4 pcs.



Door-mounting rails

Package includes:

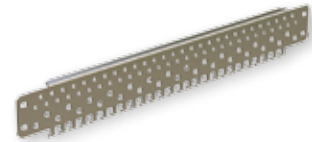
- Door-mounting rails and all necessary assembly parts

Specifications:

- Material: 2mm zinc-plated sheet steel
- Installation: on interior rails which are part of enclosure
- Usage: available for enclosures of minimum height 500 mm

For enclosure width in mm	Package	Order code
300	1 set	ID-W-VD3
400	1 set	ID-W-VD4
500	1 set	ID-W-VD5
600	1 set	ID-W-VD6
800	1 set	ID-W-VD8

1 set = 2 pcs



Mounting plate

Package includes:

- Mounting plate with labeled 50x50 mm raster (assembly parts are included in enclosure accessories)

Specifications:

- Material: zinc-plated sheet steel

For enclosure size HxW in mm	Material thickness in mm	Order code
300x200	2	ID-W-SP3020
300x250	2	ID-W-SP3025
300x300	2	ID-W-SP3030
300x400	2	ID-W-SP3040
400x300	2	ID-W-SP4030
400x400	2	ID-W-SP4040
400x600	2	ID-W-SP4060
500x300	2	ID-W-SP5030
500x400	2	ID-W-SP5040
500x500	2	ID-W-SP5050

For enclosure size HxW in mm	Material thickness in mm	Order code
600x400	2	ID-W-SP6040
600x500	2	ID-W-SP6050
600x600	2	ID-W-SP6060
600x800	2	ID-W-SP6080
700x500	2	ID-W-SP7050
800x600	2F	ID-W-SP8060
800x800	2FF	ID-W-SP8080
800x1000	2FF	ID-W-SP8010
800x1200	2FF	ID-W-SP8012
1000x600	2F	ID-W-SP1060
1000x800	2FF	ID-W-SP1080
1000x1000	2,5 FF	ID-W-SP1010
1000x1200	2,5 FF	ID-W-SP1012
1200x600	2,5 FF	ID-W-SP1260
1200x800	2,5 FF	ID-W-SP1280
1200x1000	2,5 FF	ID-W-SP1210
1200x1200	2,5 FF	ID-W-SP1212
1400x1000	2,5 FF	ID-W-SP1410



2 F - 2mm mounting plate with 2 bended edges.

2 FF - 2mm mounting plate with 4 bended edges.

2,5 FF - 2,5mm mounting plate with 4 bended edges.

Brackets for adjusting mounting plate

Package includes:

- Brackets and all necessary assembly parts

Specifications:

- Material: 2mm zinc-plated sheet steel
- Installation: on interior rails which are part of enclosure
- Usage: available for enclosures of minimum depth 250 mm

Package	Order code
4 pcs	ID-W-AMB

Only for enclosures with 4 bolts.



Interior door

Package includes:

- Interior door and all necessary assembly parts

Specifications:

- Material: 1.5mm sheet steel
- Surface finish: epoxypolyester-powder coat
- Protection degree: IP20
- Color: RAL7035
- Installation: on interior rails which are part of enclosure
- Usage: available for single-door enclosures of minimum depth 250 mm
- Lock: 3mm double bar (2 or 3 hinges)
- Load: 20 kg

For enclosure size HxW in mm	Order code
500x400	ID-W-ID54
500x500	ID-W-ID55
600x400	ID-W-ID64
600x500	ID-W-ID65
600x600	ID-W-ID66
700x500	ID-W-ID75
800x600	ID-W-ID86
800x800	ID-W-ID88
1000x600	ID-W-ID106
1000x800	ID-W-ID108
1200x600	ID-W-ID126
1200x800	ID-W-ID128



Viewing door

Package includes:

- External viewing door and all necessary assembly parts

Specifications:

- Material: 1.5mm sheet steel with 4mm clear-tempered glass viewing window according to EN 12150
- Surface finish: epoxypolyester-powder coat
- Color: RAL7035
- Lock: 3mm double bar, 2 or 3 hinges
- Installation: on interior rails which are part of enclosure

For enclosure size HxW in mm	Order code
400x300	ID-W-TD43
400x400	ID-W-TD44
500x400	ID-W-TD54
500x500	ID-W-TD55
600x400	ID-W-TD64
600x500	ID-W-TD65
600x600	ID-W-TD66
700x500	ID-W-TD75
800x600	ID-W-TD86
800x800	ID-W-TD88
1000x600	ID-W-TD106
1000x800	ID-W-TD108
1200x600	ID-W-TD126
1200x800	ID-W-TD128



Locks/lock inserts



Type	Material	Package	Order code
Spare cam lock inTEG	-	1 set*	ID-W-INSS
Lock for inTEG, key 5333	chrome-plated zamak	1 set**	ID-W-INLK
5 mm "Double bar"	black zamak	1 pc	ID-W-IND5
6 mm square	black zamak	1 pc	ID-W-INS6
7 mm square	black zamak	1 pc	ID-W-INS7
8 mm square	black zamak	1 pc	ID-W-INS8
7 mm triangular	black zamak	1 pc	ID-W-INT7
8 mm triangular	black zamak	1 pc	ID-W-INT8
9 mm triangular	black zamak	1 pc	ID-W-INT9

* Complete set of cam lock for inTEG with 3mm double bar.

** Complete set of metal cam lock with euro key 5333.



Double bit



Square



Triangular

Plinths

Package includes:

- Plinths and all necessary assembly parts (set ID-W-PFxx / ID-W-PSxx or ID-W-SPFxx / ID-W-SPSxx)

Specifications:

- Height: 100 mm
- Material: 2mm zinc-plated sheet steel/ stainless steel 403
- Surface finish
 - Sheet steel: epoxypolyester-powder coat
 - Stainless steel: polyester-powder coat



Plinth steel – front and rear kit				
For enclosure width in mm	Material	Color	Pack.	Order code
600	steel	RAL7046	1 set	ID-W-PF60
800	steel	RAL7046	1 set	ID-W-PF80
1000	steel	RAL7046	1 set	ID-W-PF100
1200	steel	RAL7046	1 set	ID-W-PF120
600	steel	RAL7035	1 set	ID-W-PF60G
800	steel	RAL7035	1 set	ID-W-PF80G
1000	steel	RAL7035	1 set	ID-W-PF100G
1200	steel	RAL7035	1 set	ID-W-PF120G

1 set includes: 1x front part, 1x rear part, mounting accessories

Plinth steel – side kit				
For enclosure depth in mm	Material	Color	Pack.	Order code
300	steel	RAL7046	1 set	ID-W-PS30
400	steel	RAL7046	1 set	ID-W-PS40
300	steel	RAL7035	1 set	ID-W-PS30G
400	steel	RAL7035	1 set	ID-W-PS40G

1 set includes: 2x side part, mounting accessories

Plinth stainless – front and rear kit				
For enclosure width in mm	Material	Color	Pack.	Order code
600	stainless	RAL7046	1 set	ID-W-SPF60
800	stainless	RAL7046	1 set	ID-W-SPF80
1000	stainless	RAL7046	1 set	ID-W-SPF100
1200	stainless	RAL7046	1 set	ID-W-SPF120
600	stainless	RAL7035	1 set	ID-W-SPF60G
800	stainless	RAL7035	1 set	ID-W-SPF80G
1000	stainless	RAL7035	1 set	ID-W-SPF100G
1200	stainless	RAL7035	1 set	ID-W-SPF120G

1 set includes: 1x front part, 1x rear part, mounting accessories

Plinth stainless – side kit				
For enclosure depth in mm	Material	Color	Pack.	Order code
300	stainless	RAL7046	1 set	ID-W-SPS30
400	stainless	RAL7046	1 set	ID-W-SPS40
300	stainless	RAL7035	1 set	ID-W-SPS30G
400	stainless	RAL7035	1 set	ID-W-SPS40G

1 set includes: 2x side part, mounting accessories

Wall-mounting brackets

Package includes:

- Wall-mounting brackets and all necessary assembly parts for mounting to the enclosure

Package	Order code
4 pcs	ID-W-WB

Specifications:

- Material: 3 mm stainless steel
- Load: 100 kg



Pole-mounting brackets

Package includes:

- Pole-mounting brackets and all necessary assembly parts (2 profile rails, 2 clamping straps (l=850 mm), 8 set: screws M8 x 12, self-locking nuts and washers adhesion)

Specifications:

- Material: 2mm stainless steel
- Installation: for poles that are 250 mm in diameter
- Load: 200 kg

For enclosure width in mm	Order code
200	ID-W-MP2
250	ID-W-MP25
300	ID-W-MP3
400	ID-W-MP4
500	ID-W-MP5
600	ID-W-MP6



Rain canopy

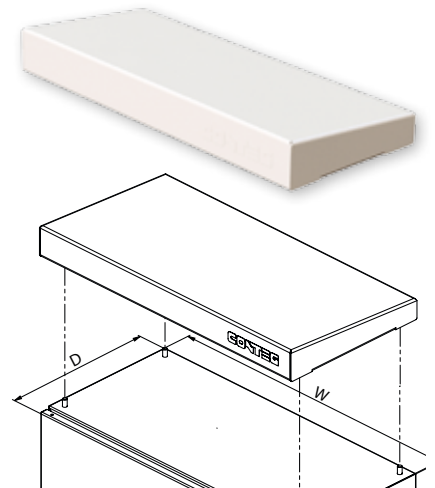
Package includes:

- Rain canopy and all necessary assembly parts

Specifications:

- Material: 2mm aluminum sheet
- Surface finish: polyester-powder coat
- Color: RAL7035
- Mounting: direct on the top, 4x M6 screws
- Optional direction of the roof slope

For enclosure size WxD in mm	Order code
200x155	ID-W-R2015
300x155	ID-W-R3015
300x210	ID-W-R3020
400x155	ID-W-R4015
400x210	ID-W-R4020
400x300	ID-W-R4030
500x210	ID-W-R5020
500x300	ID-W-R5030
600x210	ID-W-R6020
600x250	ID-W-R6025
600x300	ID-W-R6030
600x400	ID-W-R6040
800x300	ID-W-R8030
800x400	ID-W-R8040



Door stop

Specifications:

- Material: 2mm zinc-plated sheet steel
- Usage: available for enclosures of minimum height 500 mm and depth 250 mm

Door switch

Specifications:

- Material – brackets: 2mm zinc-plated sheet steel
- Door switch: IP65, plastic, 1NO + 1 NC, PG13,5, - 25°C to +70°C
- Usage: available for enclosures of minimum height 500 mm and depth 250 mm

Pocket for documents

Specifications:

- Material: ABS
- Color: RAL7035
- Dimensions: 234×241×31 mm (H×W×D)
- Mounting: with self-adhesive tape

Earthing

Package includes:

- D-W-EK: complete earthing kit for enclosure
- ID-W-EW68/ EW88/ EW8816: 300 mm cable length with crimped lugs

Lighting unit

Package includes:

- Lighting unit and inter/connection cables
- Bracket for installation on mounting plate. Depth adjustment is possible.

Specifications:

- Protection degree: IP20

Drainage device

Specifications:

- Material: plastic according to UL94 V-0, umbra grey, waterproof with UV protection
- Protection degree: IP67
- Sealing: NBR
- Dimensions: Ø 60×49,5 mm, 17,5 mm inside enclosure

Pressure compensator

Specifications:

- Mounting: PG 29 thread with union nut
- Fitting position: vertical¹
- Material: plastic according to UL94 V-0, light grey RAL7035

Package	Order code
1 pc	ID-W-DS

Package includes:

- Door stop and all necessary assembly parts



Package	Order code
1 pc	ID-W-DC

Package includes:

- Door switch and all necessary assembly parts



Package	Order code
1 pc	ID-PO-A4

Package includes:

- Plastic pocket for documents and adhesive tape



Type	Pack.	Order code
Complete earthing kit inTEG WME	1 set	ID-W-EK
Grounding wires M6, M8 (door, enclosure), cross-section 10 mm ²	10 pcs	ID-W-EW68
Grounding wires M8, M8 (enclosure, mounting plate), cross-section 10 mm ²	10 pcs	ID-W-EW88
Grounding wires M8, M8 (enclosure, mounting plate), cross-section 16 mm ²	10 pcs	ID-W-EW8816

Set includes: nuts, screws for earthing door(s), enclosure and mounting plate.



Tech. information	Package	Order code
3W, 230W, 50 Hz	1 pc	ID-W-L

- Mounting: on mounting plate or inner side rails
- LED technology, 12 light spots
- Dimensions: 400×26×27 mm (W×H×D)



Package	Order code
1 pc	ID-E0-DD

- Water flow rate: 200 ml/hour
- Mounting: vertically at the lowest point, thread M50x1.5 with nut



Package	Order code
2 pcs	ID-E0-PC

- Protection degree: IP 55
- Dimensions: Ø 65,5×30,5 mm



¹ Protection type is restricted to IP54 if fitting position of pressure compensator is not vertical.

Full-metal gland plate

Package includes:

- Full-metal gland plate, sealing and all necessary assembly parts

Specifications:

- Material: 1.5mm sheet steel
- Surface finish: epoxypolyester-powder coat
- Protection degree: IP66
- Color: RAL7035
- Mounting: on the enclosure bottom

Size	Dimensions WxD in mm	Package	Order code
A	90×150	1 pc	ID-W-CG01A
B	90×250	1 pc	ID-W-CG01B
C	140×250	1 pc	ID-W-CG01C
D	140×350	1 pc	ID-W-CG01D
E	140×450	1 pc	ID-W-CG01E
F	140×550	1 pc	ID-W-CG01F



For detailed technical information see page 31.

Gland plate with cable-entry frame and cable inserts

Package includes:

- Punched gland plate with cable-entry frame

Specifications:

- Material:
 - Gland plate: sheet steel
 - Cable inserts: elastomer, UL94-V0, self-extinguishing
 - Cable-entry frame: polyamid UL-94 Vo, self-extinguishing
- Cable-entry frame dimension: 120×58 mm, 8 slots for cable inserts ID-W-CExx
- Protection degree: IP54
- Cable quantity: see table, depends on selected cable inserts ID-W-CExx
- Mounting: in the opening at the bottom of enclosure instead of full metal gland plate

Gland plate with cable-entry frame				
Gland plate size	Cable entry frame WxD in mm	Quantity of inserts ID-W-CExx	Pack.	Order code
B	120×58	8	1 pc	ID-W-CG02B
C	120×58	8	1 pc	ID-W-CG02C
D	120×58	8	1 pc	ID-W-CG02D
E	120×58	8	1 pc	ID-W-CG02E
F	120×58	8	1 pc	ID-W-CG02F

Cable inserts		
Ø in mm	Package	Order code
Cable blind ID-W-CG02x	1 pc	ID-W-CEP
3-4	1 pc	ID-W-CE3
4-5	1 pc	ID-W-CE4
5-6	1 pc	ID-W-CE5
6-7	1 pc	ID-W-CE6
7-8	1 pc	ID-W-CE7
8-9	1 pc	ID-W-CE8
9-10	1 pc	ID-W-CE9
10-11	1 pc	ID-W-CE10
11-12	1 pc	ID-W-CE11
12-13	1 pc	ID-W-CE12
13-14	1 pc	ID-W-CE13
14-15	1 pc	ID-W-CE14
2×3	1 pc	ID-W-CE2/3
2×4	1 pc	ID-W-CE2/4
2×5	1 pc	ID-W-CE2/5
2×5,5	1 pc	ID-W-CE2/5,5
2×6	1 pc	ID-W-CE2/6
2×6,5	1 pc	ID-W-CE2/6,5
2×7	1 pc	ID-W-CE2/7
4×3	1 pc	ID-W-CE4/3
4×4	1 pc	ID-W-CE4/4
4×4,5	1 pc	ID-W-CE4/4,5
4×5	1 pc	ID-W-CE4/5
4×5,5	1 pc	ID-W-CE34/5,5
4×6	1 pc	ID-W-CE4/6



Gland plate with cable-entry plate

Package includes:

- Punched gland plate with cable-entry plate

Specifications:

- Material:
 - Gland plate: sheet steel
 - Cable-entry plate: polyamide/elastomer, UL94-V0, self-extinguishing
- Protection degree: IP64
- Cable quantity:
 - Cable-entry plate 21/19: 12× max. 6.5 mm; 7× 2.1 mm (dimension 142×44 mm)
 - Cable-entry plate 24/48: 48× max. 6.5 mm (dimension 142×44 mm)
- Mounting: in the opening at the bottom of enclosure instead of full metal gland plate

Size	Cable entry plate	Package	Order code
B	21/19	1 pc	ID-W-CG04B
C	21/19	1 pc	ID-W-CG04C
D	21/19	1 pc	ID-W-CG04D
E	21/19	1 pc	ID-W-CG04E
F	21/19	1 pc	ID-W-CG04F
B	24/48	1 pc	ID-W-CG05B
C	24/48	1 pc	ID-W-CG05C
D	24/48	1 pc	ID-W-CG05D
E	24/48	1 pc	ID-W-CG05E
F	24/48	1 pc	ID-W-CG05F



Gland plate with round cable-entry plate

Package includes:

- Punched gland plate with round cable-entry plate

Specifications:

- Material:
 - Gland plate: sheet steel
 - Round cable-entry plate: polyamide/elastomer UL94-V0, self-extinguishing
- Protection degree: IP66
- Cable quantity: 7×3.2 – 6.5 mm; 2×5.0 – 10.2 mm; 1×16.0 – 22.2 mm

Size	Round cable entry plate	Package	Order code
B	50/10	1 pc	ID-W-CG03B
C	50/10	1 pc	ID-W-CG03C
D	50/10	1 pc	ID-W-CG03D
E	50/10	1 pc	ID-W-CG03E
F	50/10	1 pc	ID-W-CG03F



- Mounting: in the opening at the bottom of enclosure instead of full-metal gland plate

Cable glands and nuts with Pg/metric thread

Specifications:

- Material: Polyamide PA6, sealing CR (neoprene)
- Protection degree: IP68
- Color: RAL7035



Description	Thread/size	Ø of cable in mm	Package	Order code
Cable gland Pg7	Pg7	2,5 – 6,5	10 pcs	ORO-PG7
Cable gland Pg9	Pg9	3 – 8	5 pcs	ORO-PG9
Cable gland Pg11	Pg11	4 – 10	5 pcs	ORO-PG11
Cable gland Pg13	Pg13	5,5 – 12	5 pcs	ORO-PG13
Cable gland Pg16	Pg16	8,5 – 14	5 pcs	ORO-PG16
Cable gland Pg21	Pg21	11 – 18	5 pcs	ORO-PG21
Cable gland Pg29	Pg29	17 – 25	5 pcs	ORO-PG29
Cable gland Pg36	Pg36	22 – 33	1 pc	ORO-PG36
Cable gland Pg42	Pg42	28 – 38	1 pc	ORO-PG42
Cable gland Pg48	Pg48	32 – 44	1 pc	ORO-PG48
Plastic lock nut Pg7	Pg7	-	10 pcs	ORO-ZPG7
Plastic lock nut Pg9	Pg9	-	5 pcs	ORO-ZPG9
Plastic lock nut Pg11	Pg11	-	5 pcs	ORO-ZPG11
Plastic lock nut Pg13	Pg13	-	5 pcs	ORO-ZPG13
Plastic lock nut Pg16	Pg16	-	5 pcs	ORO-ZPG16
Plastic lock nut Pg21	Pg21	-	5 pcs	ORO-ZPG21
Plastic lock nut Pg29	Pg29	-	5 pcs	ORO-ZPG29
Plastic lock nut Pg36	Pg36	-	1 pc	ORO-ZPG36
Plastic lock nut Pg42	Pg42	-	1 pc	ORO-ZPG42
Plastic lock nut Pg48	Pg48	-	1 pc	ORO-ZPG48
Cable gland M12×1,5	M12×1,5	2,5 – 6,5	10 pcs	ORO-M12
Cable gland M16×1,5	M16×1,5	4,5 – 10	5 pcs	ORO-M16
Cable gland M20×1,5	M20×1,5	7 – 13	5 pcs	ORO-M20
Cable gland M25×1,5	M25×1,5	10 – 17	5 pcs	ORO-M25
Cable gland M32×1,5	M32×1,5	17 – 25	5 pcs	ORO-M32
Plastic lock nut M12×1,5	M12×1,5	-	10 pcs	ORO-ZM12
Plastic lock nut M16×1,5	M16×1,5	-	5 pcs	ORO-ZM16
Plastic lock nut M20×1,5	M20×1,5	-	5 pcs	ORO-ZM20
Plastic lock nut M25×1,5	M25×1,5	-	5 pcs	ORO-ZM25
Plastic lock nut M32×1,5	M32×1,5	-	5 pcs	ORO-ZM32

Baying kit



Package includes:

- Baying kit and all necessary assembly parts

Specifications:

- Sealing material: polyethylene foam PN01
- Sealing: 15 mm width and 10 mm thick
- Meets protection degree IP55

Minimum dimensions of enclosure panel HxD in mm	External dimensions of seal HxD in mm	Maximal cutout HxD in mm	Package	Order code
400×300	320×220	240×140	1 set	ID-W-ROW4030
400×400	320×320	240×240	1 set	ID-W-ROW4040
600×250	520×170	440×90	1 set	ID-W-ROW6025
600×300	520×220	440×140	1 set	ID-W-ROW6030
600×400	520×320	440×240	1 set	ID-W-ROW6040
700×250	620×170	540×90	1 set	ID-W-ROW7025
700×300	620×220	540×140	1 set	ID-W-ROW7030
700×400	620×320	540×240	1 set	ID-W-ROW7040

Safety warning signs

Specifications:

- Material: Oracal 640 adhesive foil, easy to stick on smooth surfaces
- Print: UV LED technology

Individual labeling, company logo, customized dimension or warning signs in different languages available upon request.

Danger: electric shock risk



H in mm	W in mm	Pack.	Order code
105	74	1 set	ID-05-H1007-1
74	52	1 set	ID-05-H0705-1
30	90	1 set	ID-05-H0309-1

1 set = 5 pcs



Do not extinguish with water or foam

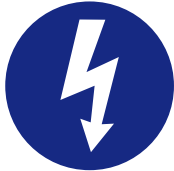


H in mm	W in mm	Pack.	Order code
105	74	1 set	ID-05-F1007-1
74	52	1 set	ID-05-F0705-1
30	90	1 set	ID-05-F0309-1

1 set = 5 pcs



Switch off in case of emergency

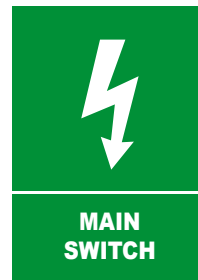


H in mm	W in mm	Pack.	Order code
105	74	1 set	ID-05-G1007-1
74	52	1 set	ID-05-G0705-1
30	90	1 set	ID-05-G0309-1

1 set = 5 pcs

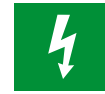


Main switch



H in mm	W in mm	Pack.	Order code
105	74	1 set	ID-05-E1007-1
74	52	1 set	ID-05-E0705-1
30	90	1 set	ID-05-E0309-1

1 set = 5 pcs



Multiple messages – danger: electric shock risk; do not extinguish with water or foam

H in mm	W in mm	Pack.	Order code
74	105	1 set	ID-05-B0710-1

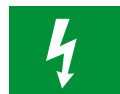
1 set = 5 pcs



Multiple messages – main switch; switch off in case of emergency

H in mm	W in mm	Pack.	Order code
74	105	1 set	ID-05-C0710-1

1 set = 5 pcs



Multiple messages



H in mm	W in mm	Pack.	Order code
148	105	1 set	ID-05-D1410-1
105	74	1 set	ID-05-D1007-1

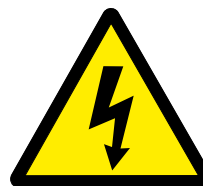
1 set = 5 pcs



Danger

H in mm	W in mm	Pack.	Order code
80	90	1 set	ID-05-A0809-1
60	67,5	1 set	ID-05-A0606-1

1 set = 5 pcs



Climate control solution

Filter fans



Climate control solution

Advantages

- Mount without screws into square openings using elastic clips
- Replace the filter membrane from the outside without tools
- Reversible airflow direction
- Airflow up to 800 m³/h
- Installation for plates that are between 1 mm and 2 mm thick
- Standard protection degree: IP54
- Wall- and top-mounting options
- Operational temperature range from -10 °C to +70 °C
- Permanent sealing gasket in polyurethane foam
- UV protection

Technical specifications

- Material made out of plastic parts (ABS/PC); all parts are made out of self-extinguishing material according to UL 94V-0
- Standard color: RAL7035 (other colors available upon request)
- Filter media in thermo-linked progressive structure synthetic fiber – filter class G3 according to EN 779; filter class G4 according to EN 779 and UL 900; class 2 approved and self-extinguishing in F1 class according to DIN 53 438
- Filter mats are washable
- Shielded and self-lubricating ball-bearing fans
- Standard protection degree: IP54 according to EN 60529;
- NEMA 12 according to UL 50
- IP55 on request (according to EN 60529)
- IP56 by using hose-proof cover
- EMC version available upon request

Climate control solution



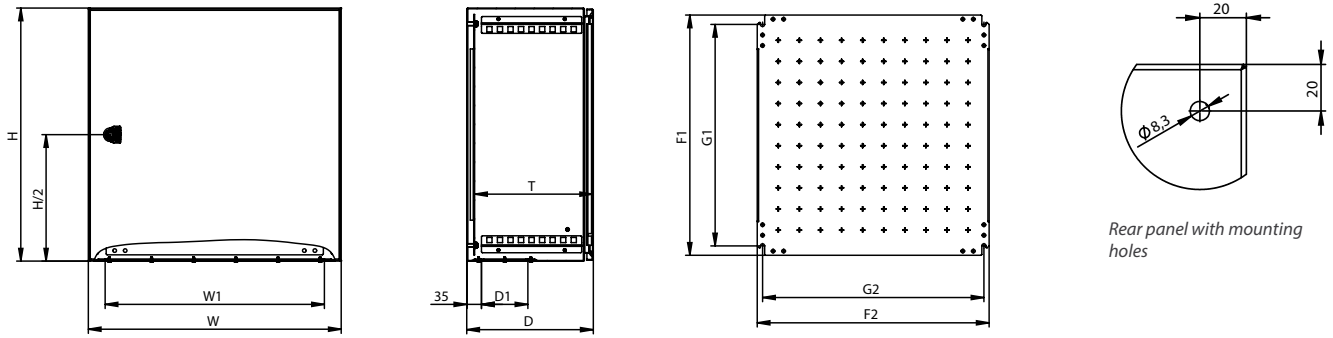
Advantages

- Cooling capacity ranges from 200 W to 2600 W
- Maintenance-free = no filter mats
- Better performance and reliability thanks to wide-ribbed aluminum condenser
- Environmentally friendly – refrigerant R134a
- Steel sheet/stainless steel housing
- Easy regulation and monitoring
- Fast and easy installation
- High-quality components help these cooling units run smoothly and last for a long time (for example, they come equipped with a Mitsubishi Electric rotary piston compressor)
- Transport units in any position
- Worldwide certification (UL, CUL, CE)

For more information see our product catalog "Climate control solution" on www.conteg.com or contact our sales representatives.

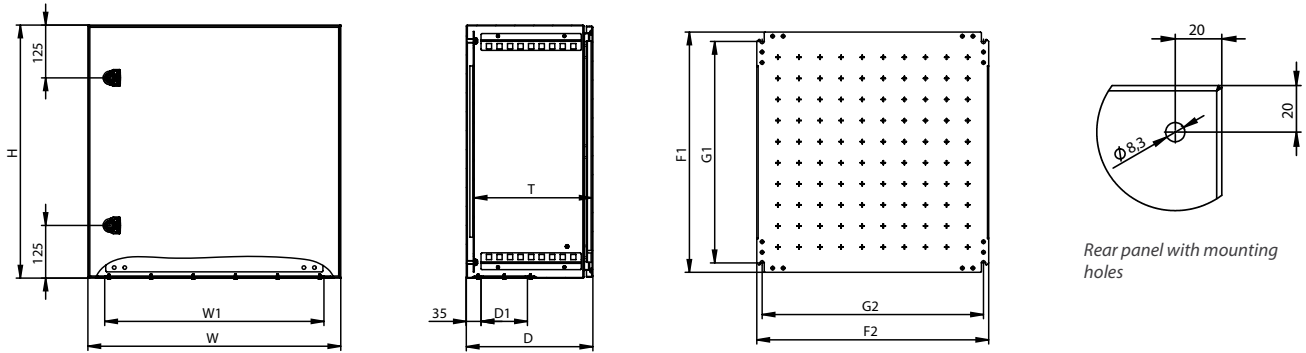
Technical drawings

inTEG compact enclosure – sheet steel, single-door with one cam lock



Enclosure order code	Height in mm		Width in mm		Depth in mm				Mounting plate in mm				Material thickness in mm			Gland plate		Cable entry	
	H	W	D	T	F1	F2	G1	G2	Enclosure	Door	Mount. plate	Size	Quantity	W1	D1				
WME-030215	300	200	155	135	270	150	225	125	1,25	1,5	2,0	A	1	120	60				
WME-032515	300	250	155	135	270	200	225	175	1,25	1,5	2,0	A	1	120	60				
WME-030315	300	300	155	135	270	250	225	225	1,25	1,5	2,0	B	1	220	60				
WME-030321	300	300	210	190	270	250	225	225	1,25	1,5	2,0	C	1	220	110				
WME-030415	300	400	155	135	270	350	225	325	1,25	1,5	2,0	B	1	220	60				
WME-030421	300	400	210	190	270	350	225	325	1,25	1,5	2,0	D	1	320	110				
WME-040315	400	300	155	135	370	250	325	225	1,25	1,5	2,0	B	1	220	60				
WME-040321	400	300	210	190	370	250	325	225	1,25	1,5	2,0	C	1	220	110				
WME-040421	400	400	210	190	370	350	325	325	1,25	1,5	2,0	D	1	320	110				
WME-040621	400	600	210	190	370	550	325	525	1,25	1,5	2,0	F	1	520	110				
WME-040625	400	600	250	230	370	550	325	525	1,25	1,5	2,0	F	1	520	110				
WME-050321	500	300	210	190	470	250	425	325	1,25	1,5	2,0	C	1	220	110				
WME-050421	500	400	210	190	470	350	425	325	1,25	1,5	2,0	D	1	320	110				
WME-050425	500	400	250	230	470	350	425	325	1,25	1,5	2,0	D	1	320	110				
WME-050521	500	500	210	190	470	450	425	425	1,25	1,5	2,0	E	1	420	110				
WME-050503	500	500	300	280	470	450	425	425	1,25	1,5	2,0	E	1	420	110				
WME-060421	600	400	210	190	570	350	525	325	1,25	1,5	2,0	D	1	320	110				
WME-060425	600	400	250	230	570	350	525	325	1,50	2,0	2,0	D	1	320	110				
WME-060403	600	400	300	280	570	350	525	325	1,50	2,0	2,0	D	1	320	110				
WME-060525	600	500	250	230	570	450	525	425	1,50	2,0	2,0	E	1	420	110				
WME-060621	600	600	210	190	570	550	525	525	1,50	2,0	2,0	F	1	520	110				
WME-060625	600	600	250	230	570	550	525	525	1,50	2,0	2,0	F	1	520	110				
WME-060603	600	600	300	280	570	550	525	525	1,50	2,0	2,0	F	1	520	110				
WME-060604	600	600	400	380	570	550	525	525	1,50	2,0	2,0	F	1	520	110				
WME-060825	600	800	250	230	570	750	525	725	1,50	2,0	2,0	F	1	520	110				
WME-060803	600	800	300	280	570	750	525	725	1,50	2,0	2,0	F	1	520	110				

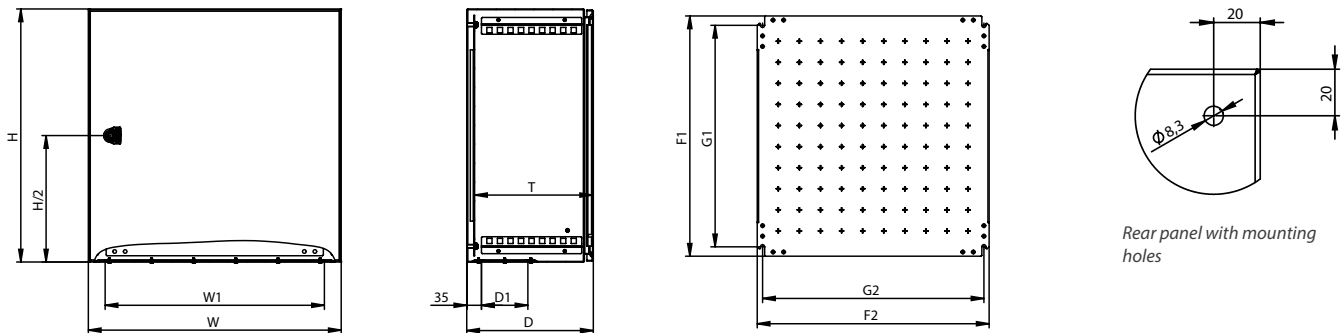
inTEG compact enclosure – sheet steel, single-door with two cam locks



Rear panel with mounting holes

Enclosure order code	Height in mm		Width in mm		Depth in mm				Mounting plate in mm			Material thickness in mm			Gland plate		Cable entry	
	H	W	D	T	F1	F2	G1	G2	Enclosure	Door	Mount. plate	Size	Quantity	W1	D1			
WME-070521	700	500	210	190	670	450	625	425	1,50	2,0	2,0	E	1	420	110			
WME-070503	700	500	300	280	670	450	625	425	1,50	2,0	2,0	E	1	420	110			
WME-080625	800	600	250	230	770	550	725	525	2,0	2,0	2,0	F	1	520	110			
WME-080603	800	600	300	280	770	550	725	525	2,0	2,0	2,0	F	1	520	110			
WME-080604	800	600	400	380	770	550	725	525	2,0	2,0	2,0	F	1	520	110			
WME-080803	800	800	300	280	770	750	725	725	2,0	2,0	2,0	F	1	520	110			
WME-080804	800	800	400	380	770	750	725	725	2,0	2,0	2,0	F	1	520	110			

inTEG compact enclosure – sheet steel, single-door with 3-point lock system

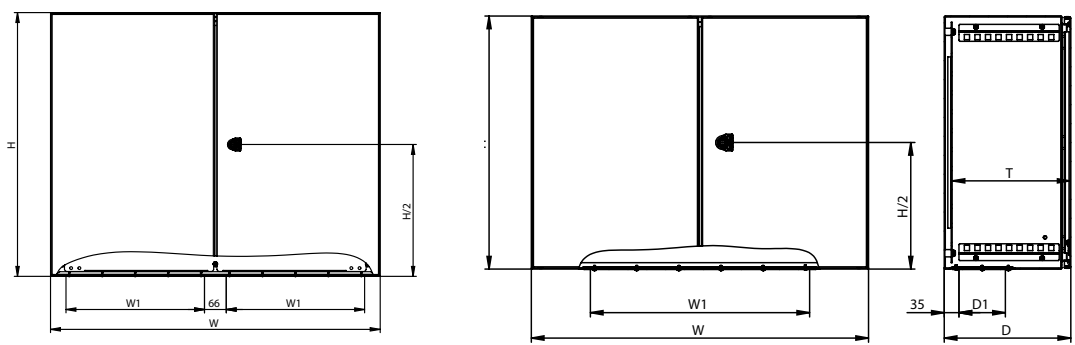


Rear panel with mounting holes

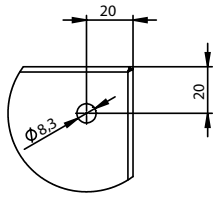
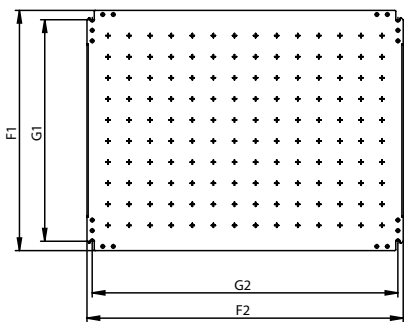
Enclosure order code	Height in mm		Width in mm		Depth in mm				Mounting plate in mm			Material thickness in mm			Gland plate		Cable entry	
	H	W	D	T*	F1	F2	G1	G2	Enclosure	Door	Mount. plate	Size	Quantity	W1	D1			
WME-100625	1000	600	300	280	970	550	925	525	2,0	2,0	2,0	F	1	520	110			
WME-100603	1000	600	300	280	970	550	925	525	2,0	2,0	2,0	F	1	520	110			
WME-100604	1000	600	400	380	970	550	925	525	2,0	2,0	2,0	F	1	520	110			
WME-100803	1000	800	300	280	970	750	925	725	2,0	2,0	2,0	F	1	520	110			
WME-100804	1000	800	400	380	970	750	925	725	2,0	2,0	2,0	F	1	520	110			
WME-120603	1200	600	300	280	1170	550	1125	525	2,0	2,0	2,0	F	1	520	110			
WME-120604	1200	600	400	380	1170	550	1125	525	2,0	2,0	2,0	F	1	520	110			
WME-120803	1200	800	300	280	1170	750	1125	725	2,0	2,0	2,0	F	1	520	110			
WME-120804	1200	800	400	380	1170	750	1125	725	2,0	2,0	2,0	F	1	520	110			

* T indicates the depth between the mounting plate and the inside of the door, door trim reduces this value by 17 mm and lock by 31 mm.

inTEG compact enclosure – sheet steel, double-door with 3-point lock system



Only for enclosure WME-160803

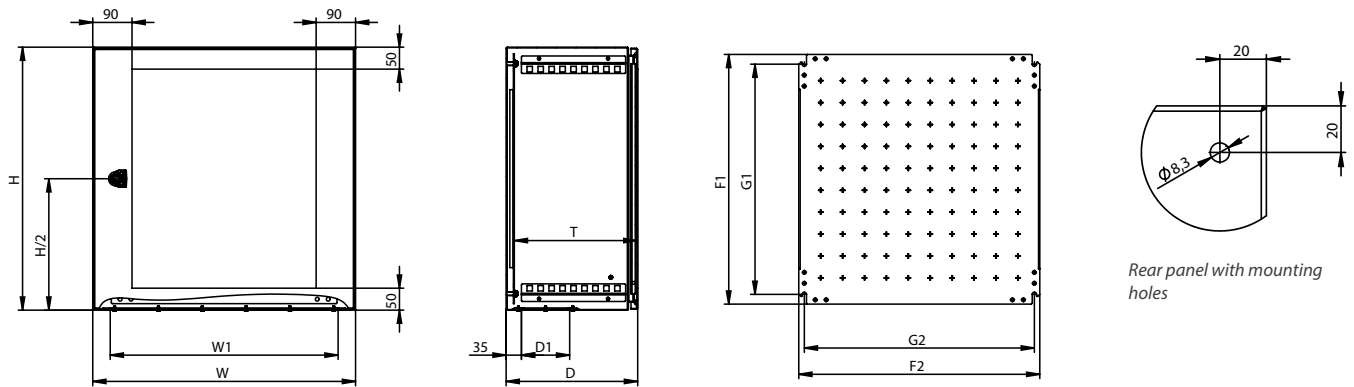


Rear panel with mounting holes

Enclosure order code	Height in mm		Width in mm		Depth in mm				Mounting plate in mm				Material thickness in mm			Gland plate		Cable entry	
	H	W	D	T*	F1	F2	G1	G2	Enclosure	Door	Mount. plate	Size	Quantity	W1	D1				
WME-160803	600	800	300	280	570	750	525	725	1,5	1,5	2,0	F	1	520	110				
WME-181003	800	1000	300	280	770	950	725	925	1,5	2,0	2,0	E	2	420	110				
WME-181203	800	1200	300	280	770	1150	725	1125	1,5	2,0	2,0	F	2	520	110				
WME-201003	1000	1000	300	280	970	950	925	925	1,5	2,0	2,5	E	2	420	110				
WME-201004	1000	1000	400	380	970	950	925	925	1,5	2,0	2,5	E	2	420	110				
WME-201203	1000	1200	300	280	970	1150	925	1125	1,5	2,0	2,5	F	2	520	110				
WME-201204	1000	1200	400	380	970	1150	925	1125	1,5	2,0	2,5	F	2	520	110				
WME-221003	1200	1000	300	280	1170	950	1125	925	1,5	2,0	2,5	E	2	420	110				
WME-221004	1200	1000	400	380	1170	950	1125	925	1,5	2,0	2,5	E	2	420	110				
WME-221203	1200	1200	300	280	1170	1150	1125	1125	1,5	2,0	2,5	F	2	520	110				
WME-221204	1200	1200	400	380	1170	1150	1125	1125	1,5	2,0	2,5	F	2	520	110				
WME-241003	1400	1000	300	280	1370	950	1325	925	1,5	2,0	2,5	E	2	420	110				

* T indicates the depth between the mounting plate and the inside of the door, door trim reduces this value by 17 mm and lock by 31 mm.

inTEG compact enclosure – glazed door, single-door with one cam lock

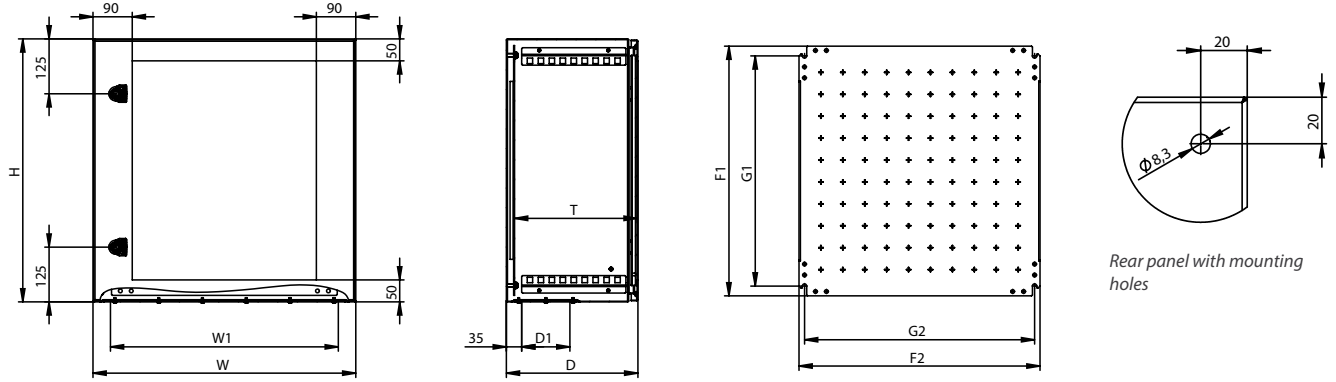


:: Technical drawings

Enclosure order code	Height in mm		Width in mm		Depth in mm		Mounting plate in mm				Material thickness in mm			Gland plate		Cable entry	
	H	W	D	T*	F1	F2	G1	G2	Enclosure	Door	Mount. plate	Size	Quantity	W1	D1		
WME-G-030215	300	200	155	135	270	150	225	125	1,25	1,5	2,0	A	1	120	60		
WME-G-032515	300	250	155	135	270	200	225	175	1,25	1,5	2,0	A	1	120	60		
WME-G-030315	300	300	155	135	270	250	225	225	1,25	1,5	2,0	B	1	220	60		
WME-G-030321	300	300	210	190	270	250	225	225	1,25	1,5	2,0	C	1	220	110		
WME-G-030415	300	400	155	135	270	350	225	325	1,25	1,5	2,0	B	1	220	60		
WME-G-030421	300	400	210	190	270	350	225	325	1,25	1,5	2,0	D	1	320	110		
WME-G-040315	400	300	155	135	370	250	325	225	1,25	1,5	2,0	B	1	220	60		
WME-G-040321	400	300	210	190	370	250	325	225	1,25	1,5	2,0	C	1	220	110		
WME-G-040421	400	400	210	190	370	350	325	325	1,25	1,5	2,0	D	1	320	110		
WME-G-040621	400	600	210	190	370	550	325	525	1,25	1,5	2,0	F	1	520	110		
WME-G-040625	400	600	250	230	370	550	325	525	1,25	1,5	2,0	F	1	520	110		
WME-G-050321	500	300	210	190	470	250	425	325	1,25	1,5	2,0	C	1	220	110		
WME-G-050421	500	400	210	190	470	350	425	325	1,25	1,5	2,0	D	1	320	110		
WME-G-050425	500	400	250	230	470	350	425	325	1,25	1,5	2,0	D	1	320	110		
WME-G-050521	500	500	210	190	470	450	425	425	1,25	1,5	2,0	E	1	420	110		
WME-G-050503	500	500	300	280	470	450	425	425	1,25	1,5	2,0	E	1	420	110		
WME-G-060421	600	400	210	190	570	350	525	325	1,25	1,5	2,0	D	1	320	110		
WME-G-060425	600	400	250	230	570	350	525	325	1,50	2,0	2,0	D	1	320	110		
WME-G-060403	600	400	300	280	570	350	525	325	1,50	2,0	2,0	D	1	320	110		
WME-G-060525	600	500	250	230	570	450	525	425	1,50	2,0	2,0	E	1	420	110		
WME-G-060621	600	600	210	190	570	550	525	525	1,50	2,0	2,0	F	1	520	110		
WME-G-060625	600	600	250	230	570	550	525	525	1,50	2,0	2,0	F	1	520	110		
WME-G-060603	600	600	300	280	570	550	525	525	1,50	2,0	2,0	F	1	520	110		
WME-G-060604	600	600	400	380	570	550	525	525	1,50	2,0	2,0	F	1	520	110		
WME-G-060825	600	800	250	230	570	750	525	725	1,50	2,0	2,0	F	1	520	110		
WME-G-060803	600	800	300	280	570	750	525	725	1,50	2,0	2,0	F	1	520	110		

* T indicates the depth between the mounting plate and the inside of the door, glass reduces this value by 4 mm.

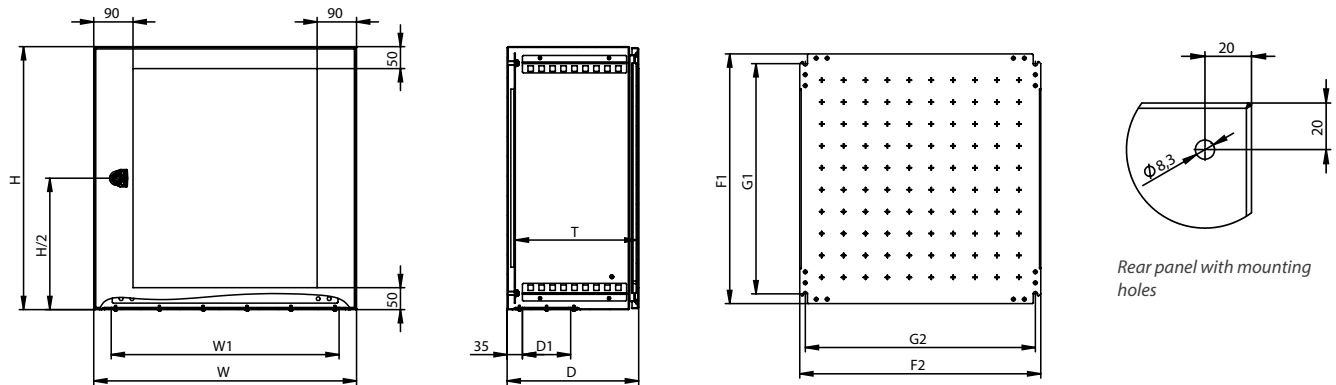
inTEG compact enclosure – glazed door, single-door with two cam locks



Enclosure order code	Height in mm		Width in mm		Depth in mm				Mounting plate in mm				Material thickness in mm			Gland plate		Cable entry	
	H	W	D	T*	F1	F2	G1	G2	Enclosure	Door	Mount. plate	Size	Quantity	W1	D1				
WME-G-070521	700	500	210	190	670	450	625	425	1,50	2,0	2,0	E	1	420	110				
WME-G-070503	700	500	300	280	670	450	625	425	1,50	2,0	2,0	E	1	420	110				
WME-G-080625	800	600	250	230	770	550	725	525	2,0	2,0	2,0	F	1	520	110				
WME-G-080603	800	600	300	280	770	550	725	525	2,0	2,0	2,0	F	1	520	110				
WME-G-080604	800	600	400	380	770	550	725	525	2,0	2,0	2,0	F	1	520	110				
WME-G-080803	800	800	300	280	770	750	725	725	2,0	2,0	2,0	F	1	520	110				
WME-G-080804	800	800	400	380	770	750	725	725	2,0	2,0	2,0	F	1	520	110				

* T indicates the depth between the mounting plate and the inside of the door, glass reduces this value by 4 mm.

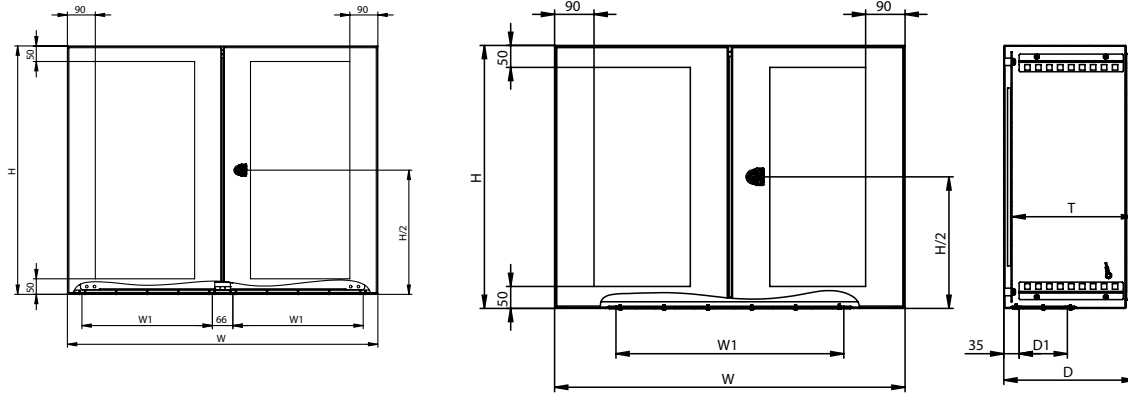
inTEG compact enclosure – glazed door, single-door with 3-point lock system



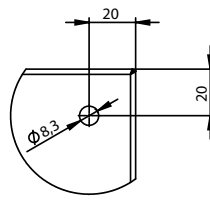
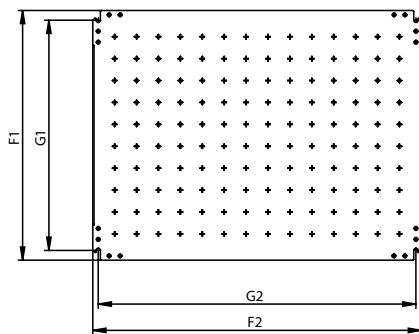
Enclosure order code	Height in mm		Width in mm		Depth in mm				Mounting plate in mm				Material thickness in mm			Gland plate		Cable entry	
	H	W	D	T*	F1	F2	G1	G2	Enclosure	Door	Mount. plate	Size	Quantity	W1	D1				
WME-G-100625	1000	600	300	280	970	550	925	525	2,0	2,0	2,0	F	1	520	110				
WME-G-100603	1000	600	300	280	970	550	925	525	2,0	2,0	2,0	F	1	520	110				
WME-G-100604	1000	600	400	380	970	550	925	525	2,0	2,0	2,0	F	1	520	110				
WME-G-100803	1000	800	300	280	970	750	925	725	2,0	2,0	2,0	F	1	520	110				
WME-G-100804	1000	800	400	380	970	750	925	725	2,0	2,0	2,0	F	1	520	110				
WME-G-120603	1200	600	300	280	1170	550	1125	525	2,0	2,0	2,0	F	1	520	110				
WME-G-120604	1200	600	400	380	1170	550	1125	525	2,0	2,0	2,0	F	1	520	110				
WME-G-120803	1200	800	300	280	1170	750	1125	725	2,0	2,0	2,0	F	1	520	110				
WME-G-120804	1200	800	400	380	1170	750	1125	725	2,0	2,0	2,0	F	1	520	110				

* T indicates the depth between the mounting plate and the inside of the door, door trim reduces this value by 17 mm, lock by 31 mm and glass by 4 mm.

inTEG compact enclosure – glazed door, double-door with 3-point lock system



Only for enclosure WME-G-160803

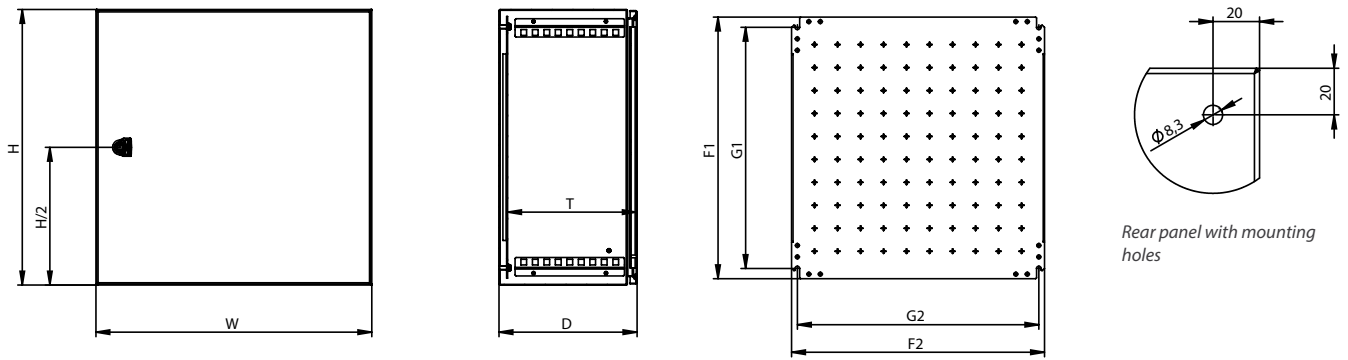


Rear panel with mounting holes

Enclosure order code	Height in mm H	Width in mm W	Depth in mm		Mounting plate in mm				Material thickness in mm			Gland plate		Cable entry	
			D	T*	F1	F2	G1	G2	Enclosure	Door	Mount. plate	Size	Quantity	W1	D1
WME-G-160803	600	800	300	280	570	750	525	725	1,5	1,5	2,0	F	1	520	110
WME-G-181003	800	1000	300	280	770	950	725	925	1,5	2,0	2,0	E	2	420	110
WME-G-181203	800	1200	300	280	770	1150	725	1125	1,5	2,0	2,0	F	2	520	110
WME-G-201003	1000	1000	300	280	970	950	925	925	1,5	2,0	2,5	E	2	420	110
WME-G-201004	1000	1000	400	380	970	950	925	925	1,5	2,0	2,5	E	2	420	110
WME-G-201203	1000	1200	300	280	970	1150	925	1125	1,5	2,0	2,5	F	2	520	110
WME-G-201204	1000	1200	400	380	970	1150	925	1125	1,5	2,0	2,5	F	2	520	110
WME-G-221003	1200	1000	300	280	1170	950	1125	925	1,5	2,0	2,5	E	2	420	110
WME-G-221004	1200	1000	400	380	1170	950	1125	925	1,5	2,0	2,5	E	2	420	110
WME-G-221203	1200	1200	300	280	1170	1150	1125	1125	1,5	2,0	2,5	F	2	520	110
WME-G-221204	1200	1200	400	380	1170	1150	1125	1125	1,5	2,0	2,5	F	2	520	110
WME-G-241003	1400	1000	300	280	1370	950	1325	925	1,5	2,0	2,5	E	2	420	110

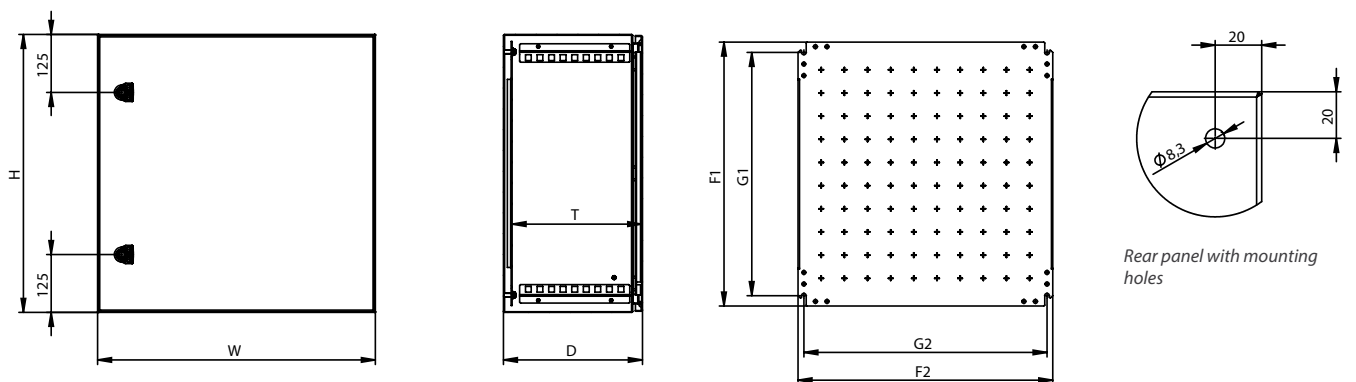
*T indicates the depth between the mounting plate and the inside of the door, door trim reduces this value by 17 mm, lock by 31 mm and glass by 4 mm.

inTEG compact enclosure – stainless steel, single-door with one cam lock



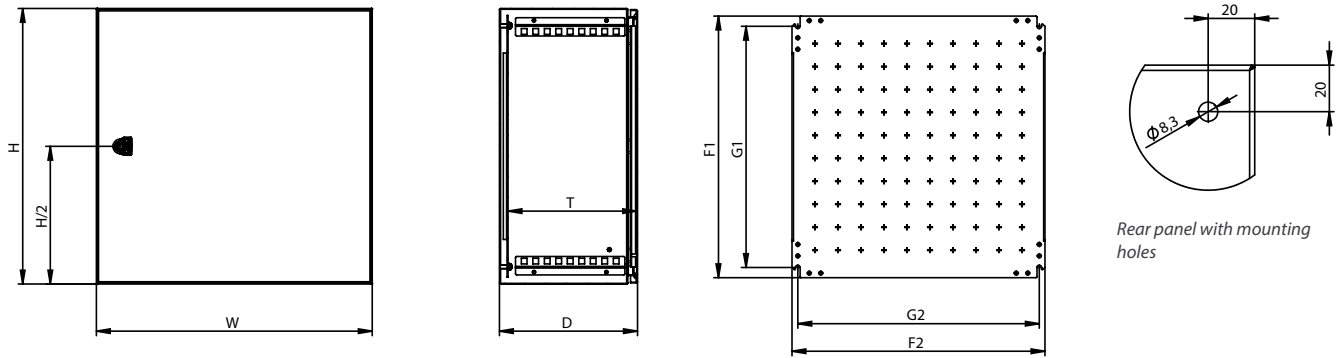
Enclosure order code	Height in mm		Width in mm		Depth in mm		Mounting plate in mm				Material thickness in mm		
	H	W	D	T	F1	F2	G1	G2	Enclosure	Door	Mount. plate		
WME-X-030215	300	200	155	135	270	150	225	125	1,25	1,5	2,0		
WME-X-030315	300	300	155	135	270	250	225	225	1,25	1,5	2,0		
WME-X-030321	300	300	210	190	270	250	225	225	1,25	1,5	2,0		
WME-X-030415	300	400	155	135	270	350	225	325	1,25	1,5	2,0		
WME-X-030421	300	400	210	190	270	350	225	325	1,25	1,5	2,0		
WME-X-040315	400	300	155	135	370	250	325	225	1,25	1,5	2,0		
WME-X-040321	400	300	210	190	370	250	325	225	1,25	1,5	2,0		
WME-X-040421	400	400	210	190	370	350	325	325	1,25	1,5	2,0		
WME-X-040621	400	600	210	190	370	550	325	525	1,25	1,5	2,0		
WME-X-050421	500	400	210	190	470	350	425	325	1,25	1,5	2,0		
WME-X-050521	500	500	210	190	470	450	425	425	1,25	1,5	2,0		
WME-X-050503	500	500	300	280	470	450	425	425	1,25	1,5	2,0		
WME-X-060421	600	400	210	190	570	350	525	325	1,25	1,5	2,0		
WME-X-060621	600	600	210	190	570	550	525	525	1,50	2,0	2,0		
WME-X-060625	600	600	250	230	570	550	525	525	1,50	2,0	2,0		
WME-X-060603	600	600	300	280	570	550	525	525	1,50	2,0	2,0		
WME-X-060803	600	800	300	280	570	750	525	725	1,50	2,0	2,0		

inTEG compact enclosure – stainless steel, single-door with two cam locks



Enclosure order code	Height in mm		Width in mm		Depth in mm		Mounting plate in mm				Material thickness in mm		
	H	W	D	T	F1	F2	G1	G2	Enclosure	Door	Mount. plate		
WME-X-070503	700	500	300	280	670	450	625	425	1,50	2,0	2,0		
WME-X-080625	800	600	250	230	770	550	725	525	2,0	2,0	2,0		
WME-X-080603	800	600	300	280	770	550	725	525	2,0	2,0	2,0		
WME-X-080803	800	800	300	280	770	750	725	725	2,0	2,0	2,0		

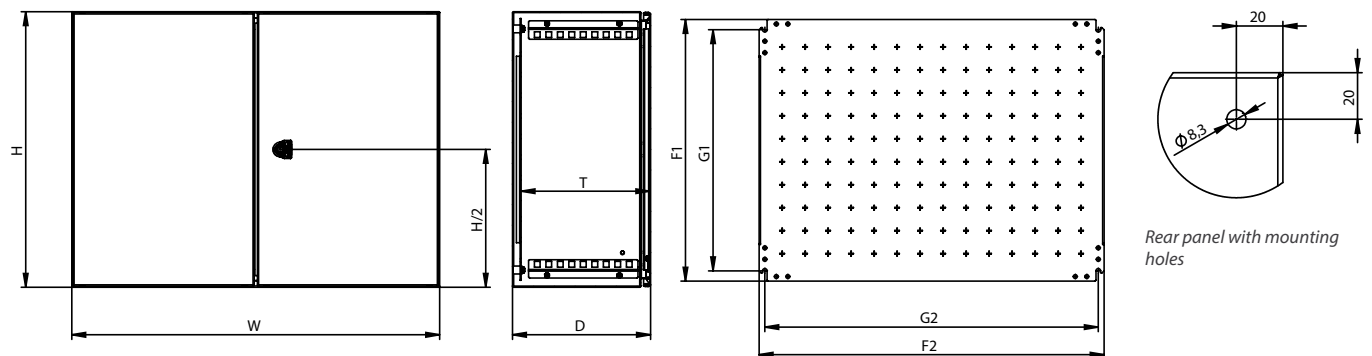
inTEG compact enclosure – stainless steel, single-door with 3-point lock system



Enclosure order code	Height in mm H	Width in mm W	Depth in mm		Mounting plate in mm				Material thickness in mm		
			D	T*	F1	F2	G1	G2	Enclosure	Door	Mount. plate
WME-X-100803	1000	800	300	280	970	750	925	725	2,0	2,0	2,0
WME-X-120803	1200	800	300	280	1170	750	1125	725	2,0	2,0	2,0
WME-X-120804	1200	800	400	380	1170	750	1125	725	2,0	2,0	2,0

*T indicates the depth between the mounting plate and the inside of the door, door trim reduces this value by 17 mm and lock by 31 mm.

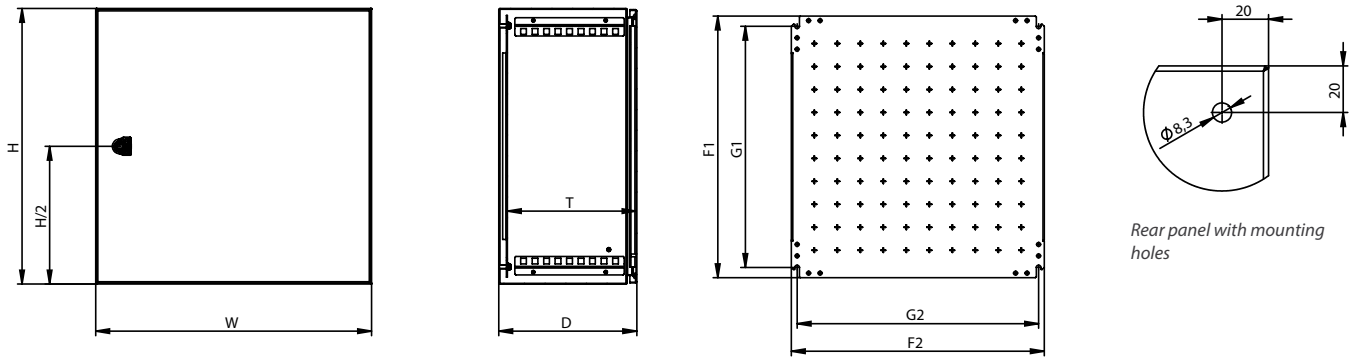
inTEG compact enclosure – stainless steel, double-door with 3-point lock system



Enclosure order code	Height in mm H	Width in mm W	Depth in mm		Mounting plate in mm				Material thickness in mm		
			D	T*	F1	F2	G1	G2	Enclosure	Door	Mount. plate
WME-X-201003	1000	1000	300	280	970	950	925	925	1,5	2,0	2,5
WME-X-221003	1200	1000	300	280	1170	950	1125	925	1,5	2,0	2,5

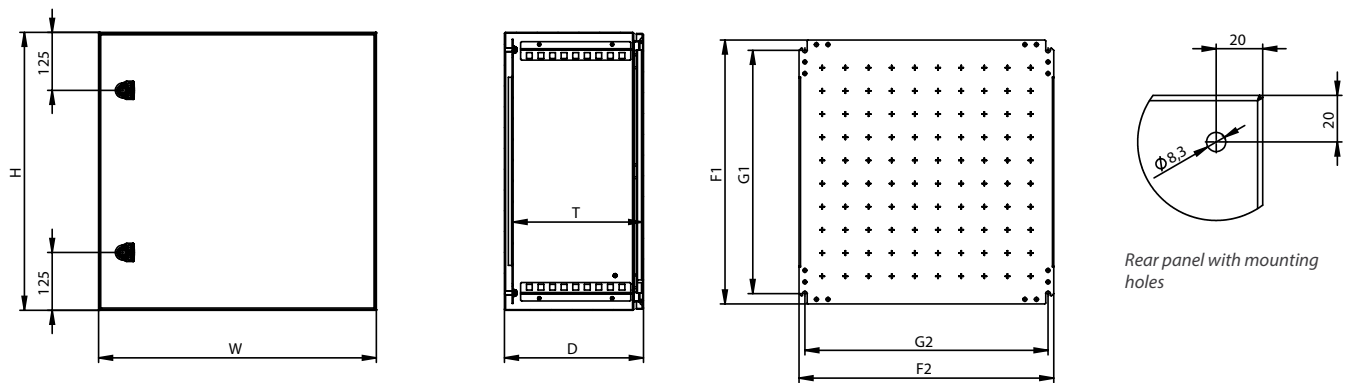
*T indicates the depth between the mounting plate and the inside of the door, door trim reduces this value by 17 mm and lock by 31 mm.

inTEG compact enclosure – outdoor, single-door with one cam lock



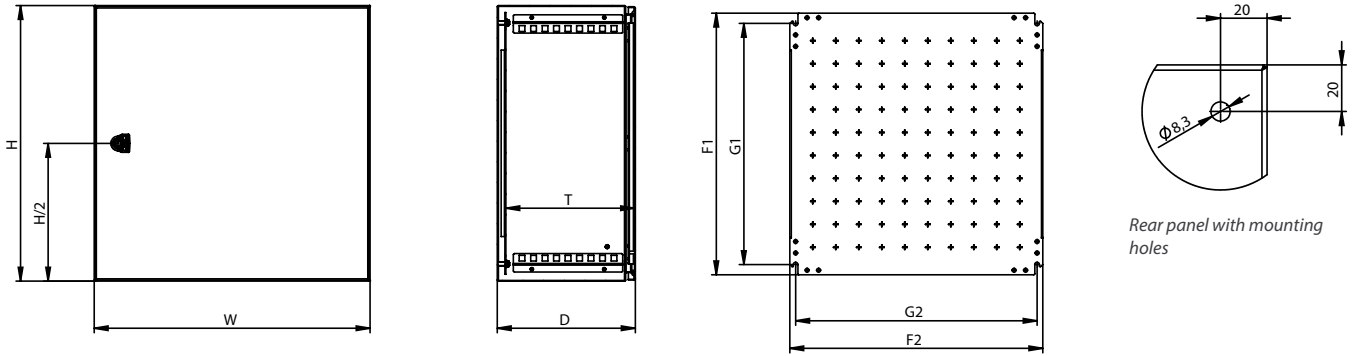
Enclosure order code	Height in mm		Width in mm		Depth in mm		Mounting plate in mm				Material thickness in mm		
	H	W	D	T	F1	F2	G1	G2	Enclosure	Door	Mount. plate		
WME-0-030215	300	200	155	135	270	150	225	125	1,25	1,5	2,0		
WME-0-030315	300	300	155	135	270	250	225	225	1,25	1,5	2,0		
WME-0-030321	300	300	210	190	270	250	225	225	1,25	1,5	2,0		
WME-0-030415	300	400	155	135	270	350	225	325	1,25	1,5	2,0		
WME-0-030421	300	400	210	190	270	350	225	325	1,25	1,5	2,0		
WME-0-040315	400	300	155	135	370	250	325	225	1,25	1,5	2,0		
WME-0-040321	400	300	210	190	370	250	325	225	1,25	1,5	2,0		
WME-0-040421	400	400	210	190	370	350	325	325	1,25	1,5	2,0		
WME-0-040621	400	600	210	190	370	550	325	525	1,25	1,5	2,0		
WME-0-050421	500	400	210	190	470	350	425	325	1,25	1,5	2,0		
WME-0-050521	500	500	210	190	470	450	425	425	1,25	1,5	2,0		
WME-0-050503	500	500	300	280	470	450	425	425	1,25	1,5	2,0		
WME-0-060421	600	400	210	190	570	350	525	325	1,25	1,5	2,0		
WME-0-060403	600	400	300	280	570	350	525	325	1,50	2,0	2,0		
WME-0-060621	600	600	210	190	570	550	525	525	1,50	2,0	2,0		
WME-0-060603	600	600	300	280	570	550	525	525	1,50	2,0	2,0		
WME-0-060604	600	600	400	380	570	550	525	525	1,50	2,0	2,0		
WME-0-060803	600	800	300	280	570	750	525	725	1,50	2,0	2,0		

inTEG compact enclosure – outdoor, single-door with two cam locks



Enclosure order code	Height in mm		Width in mm		Depth in mm		Mounting plate in mm				Material thickness in mm		
	H	W	D	T	F1	F2	G1	G2	Enclosure	Door	Mount. plate		
WME-0-070503	700	500	210	190	670	450	625	425	1,50	2,0	2,0		
WME-0-080625	800	600	250	230	770	550	725	525	2,0	2,0	2,0		
WME-0-080603	800	600	300	280	770	550	725	525	2,0	2,0	2,0		
WME-0-080803	800	800	300	280	770	750	725	725	2,0	2,0	2,0		

inTEG compact enclosure – outdoor, single-door with 3-point lock system

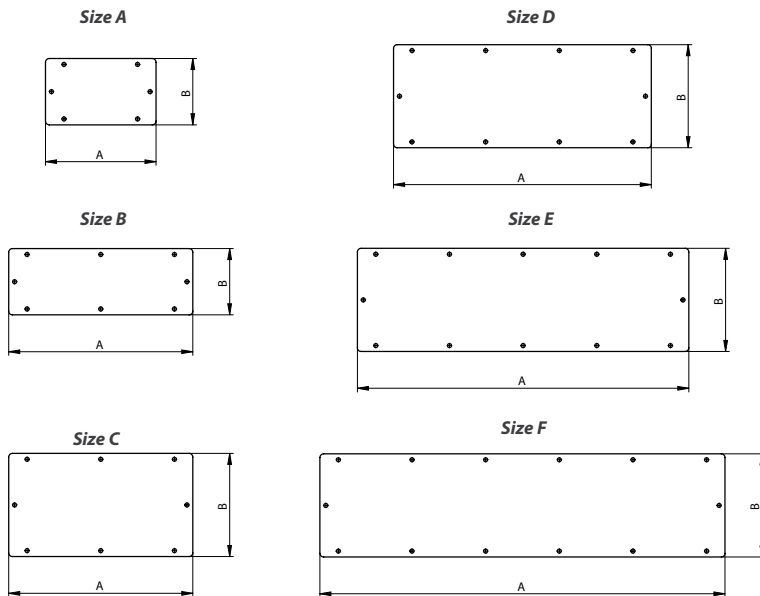


:: Technical drawings

Enclosure order code	Height in mm		Width in mm		Depth in mm				Mounting plate in mm				Material thickness in mm		
	H	W	D	T*	F1	F2	G1	G2	Enclosure	Door	Mount. plate				
WME-0-100603	1000	600	300	280	970	550	925	525	2,0	2,0	2,0				
WME-0-100604	1000	600	400	380	970	550	925	525	2,0	2,0	2,0				
WME-0-100804	1000	800	400	380	970	750	925	725	2,0	2,0	2,0				
WME-0-120603	1200	600	300	280	1170	550	1125	525	2,0	2,0	2,0				
WME-0-120804	1200	800	400	380	1170	750	1125	725	2,0	2,0	2,0				

* T indicates the depth between the mounting plate and the inside of the door, door trim reduces this value by 17 mm and lock by 31 mm.

Full-metal gland plate



Size	Width in mm	Depth in mm
A	150	90
B	250	90
C	250	140
D	350	140
E	450	140
F	550	140

Conteg, spol. s r.o.

Czech Republic Headquarters:

Na Vítězné pláni 1719/4
140 00 Prague 4

Tel.: +420 261 219 182

Fax: +420 261 219 192

Production plant in the Czech Republic:

K Silu 2179

393 01 Pelhřimov

Tel.: +420 565 300 300

Fax: +420 565 533 955

integ@conteg.com

www.conteg.com

Local Branches/Offices

Austria:	+43 170 659 0115
Benelux:	+32 477 957 126
Eastern Europe / Nordics:	+49 172 8484 346
France, Maghreb:	+33 686 074 386
Germany / Switzerland:	+49 170 523 4958
India:	+91 991 6950 773
Middle East:	+971 4445 2838
Russia, CIS:	+7 495 967 3840
Saudi Arabia:	+966 594 30 13 08
Ukraine:	+380 674 478 240

Although this catalog was prepared, produced and checked with the best care, Conteg, spol. s r.o. cannot accept any liability for omissions or errors in this publication. Due to continuous development and progress, Conteg, spol. s r.o. reserves the right to change details and technical specifications of the products shown in this catalog. Such changes along with eventual errors or printing errors shall not constitute grounds for compensation.