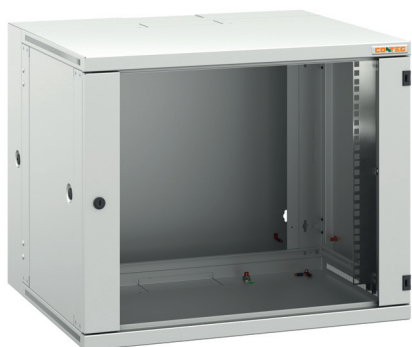


DATASHEET
WALL-MOUNT
& SOHO RACKS
PREMIUM
SPLIT RUD

CONTEG

WALL-MOUNT & SOHO RACKS

PREMIUM SPLIT RUD



RUD-09-60/50

➤ **Wall-Mount PREMIUM Split RUD racks** are designed for wall-mount installation with easy access.

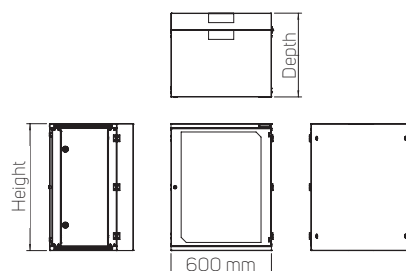
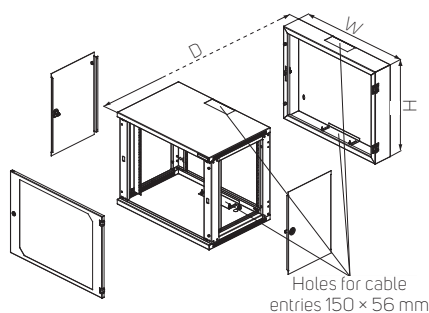
MAIN ADVANTAGES

- Designed for excellent rigidity
- Free access to installed equipment from front, rear and sides
- Lockable side panels and rear section
- Load rating up to 50 kg

COLOR:  RAL 7035



Code	H (in U)	Dimensions (mm)				Dimensions incl. packing (mm)			Gross weight (kg)
		H	W	D	Useful depth	H	W	D	
RUD-06-60/50	6	358	600	500	490	378	620	530	20
RUD-09-60/50	9	491	600	500	490	510	620	530	24
RUD-12-60/50	12	624	600	500	490	645	620	530	28
RUD-15-60/50	15	758	600	500	490	778	620	530	32
RUD-18-60/50	18	891	600	500	490	910	620	530	40
RUD-06-60/80	6	358	600	800	790	378	620	830	24
RUD-09-60/80	9	491	600	800	790	510	620	830	28
RUD-12-60/80	12	624	600	800	790	645	620	830	31
RUD-15-60/80	15	758	600	800	790	778	620	830	35
RUD-18-60/80	18	891	600	800	790	910	620	830	44



DESCRIPTION

Sizes

- Height: 6, 9, 12, 15, 18U
- Width: 600 mm
- Depth: 500 and 800 mm

Construction

- 1,25mm/1,5mm sheet steel

Load rating

- Standard 50 kg balanced load

IP rating

- Standard IP 30

Colors

- Standard: RAL 7035
- Other colors on request

Front door

- Security-glass (EN 12150-1) or sheet steel door
- Reversible door—easy re-hanging to open right or left
- Door opening angle 180°

Rear module

- Removable, with module for cable entry depth 500 or 800 mm
- Mounting holes for wall installation on back

Cable entries

- Top and bottom openings for cable entry, size 150 × 56 mm, knock out opening
- Can be covered by sliding blank panel with butterfly nuts (DP-DB-200×68) or brush cable entry (DP-KP-KAR3)—ordered separately
- Cable entries on the rear edge of enclosure for straight cable path alongside the wall

Other

- Drilling template
- Extra pair of DP-LV-N-xx extrusions optional

STANDARD CONFIGURATION:

- 1 pair sliding 19" vertical extrusions
- 2 removable side panels with lock
- Tinted security-glass door (EN 12150-1) with lock
- GND/earthing kit

CONTEG, spol. s r.o.

Na Vitezne plani 1719/4

140 00 Prague 4

Czech Republic

Tel.: +420 565 300 358

conteg@conteg.com

www.conteg.com

CONTEG